



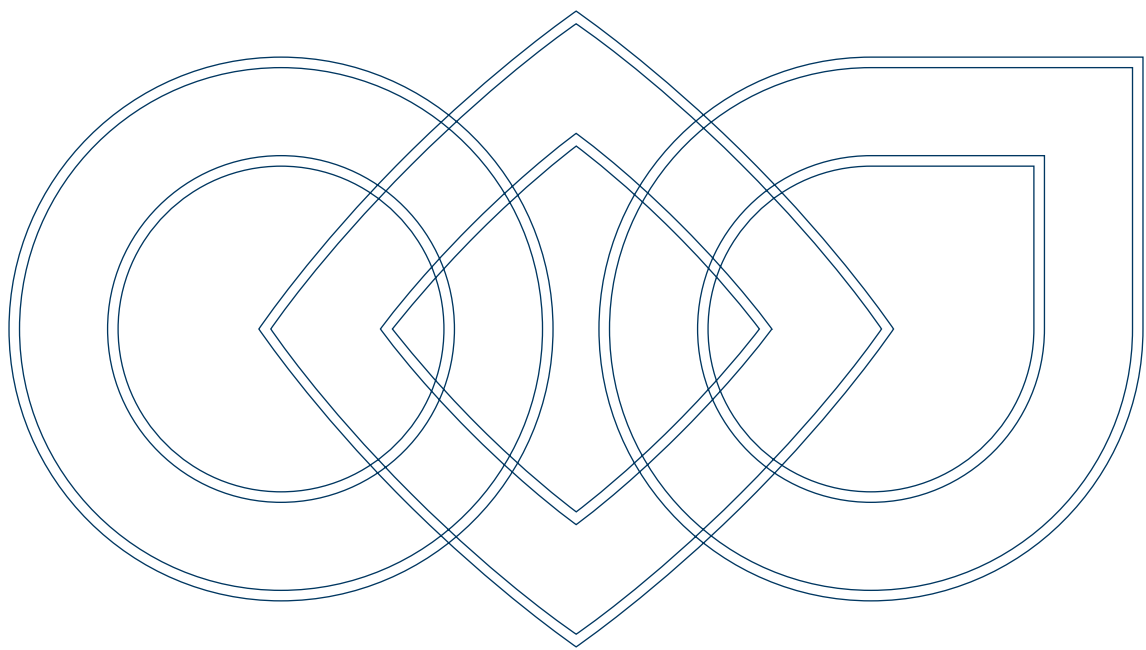
Bonfiglioli

Forever Forward

Solutions for **Packaging**



SECTOR



THE MOST RELIABLE SOLUTIONS FOR PACKAGING PROCESSES

The diversity of packaging types and packaging machines makes performance requirements differ widely. From high overload specifications to parallel control for multiple motors, from high breakaway torque to continuous low speed functioning, and from synchronization to controlled braking, Bonfiglioli has created dedicated solutions to meet the requirements of all machines.

Reducing dimensions, increasing flexibility, resisting extreme load conditions and facilitating integration are the basic features that are offered by Bonfiglioli's solutions.

Our solutions satisfy even the strictest performance specifications imposed by customers and guarantee the highest levels of efficiency and energy saving.

In terms of performance, Bonfiglioli guarantees high output, speed and efficiency from the production cycle.

BONFIGLIOLI HAS COMPREHENSIVE EXPERIENCE TO SUPPORT MACHINERY DESIGN IN THE:



Liquid filling process

Page 4 to 7



Solid packaging process

Page 8 to 11



THESE ARE ALL THE POSSIBLE TYPES OF PACKAGING EQUIPMENT

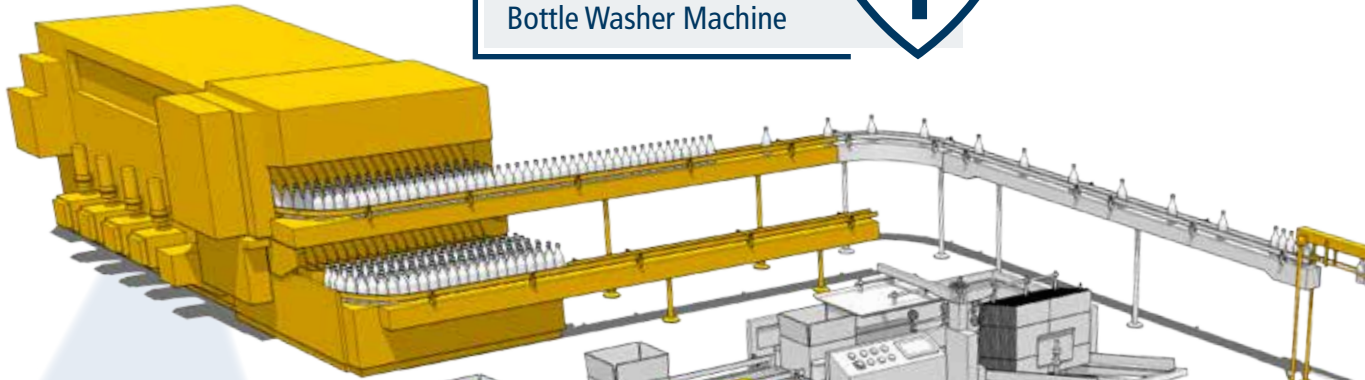
- Cleaning, Sterilizing & Drying machines
- Flow Pack machines
- Filling, Dosing, Capping machines
- Labelling machines
- Carton Forming machines
- Carton Filling machines
- Carton Closing machines
- Palletizing machines
- Wrapping machines
- Handling systems

LIQUID FILLING PROCESS

Cleaning, Sterilizing & Drying

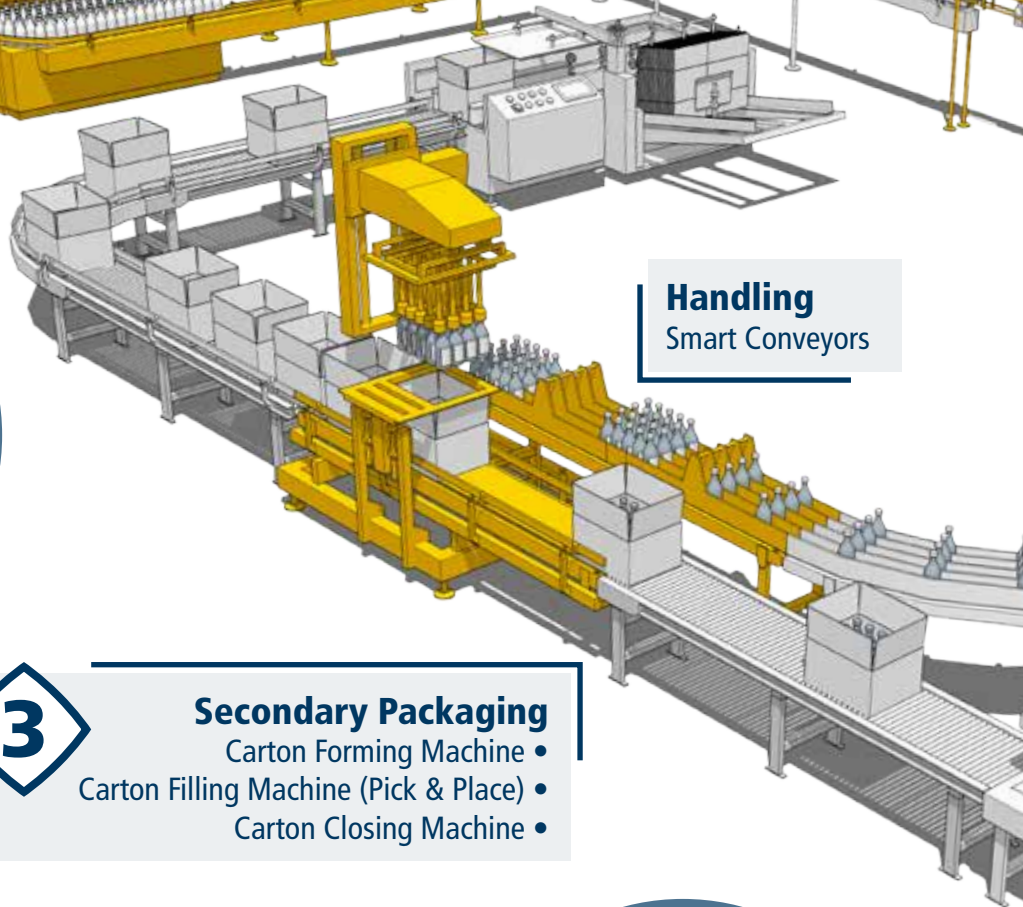
Bottle Washer Machine

1



Handling

Smart Conveyors



VF - Worm gearmotor

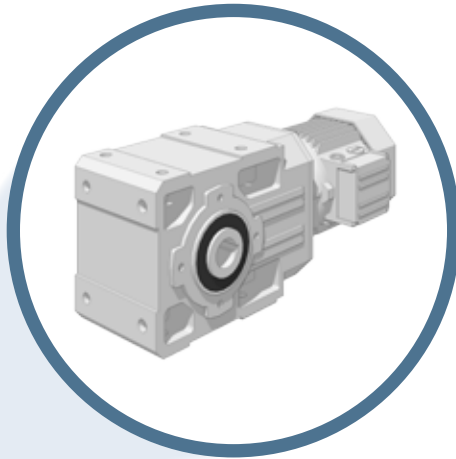
3

Secondary Packaging

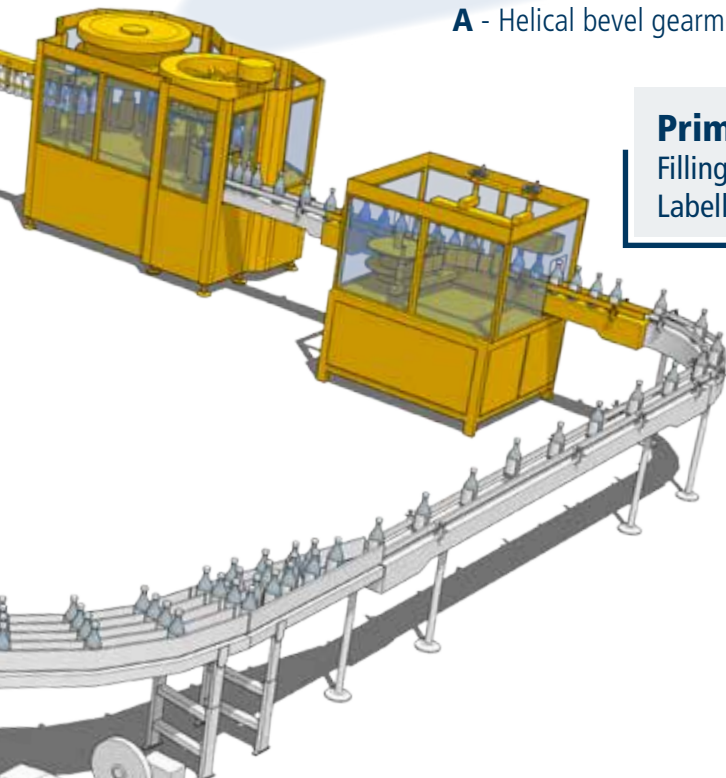
- Carton Forming Machine
- Carton Filling Machine (Pick & Place)
- Carton Closing Machine



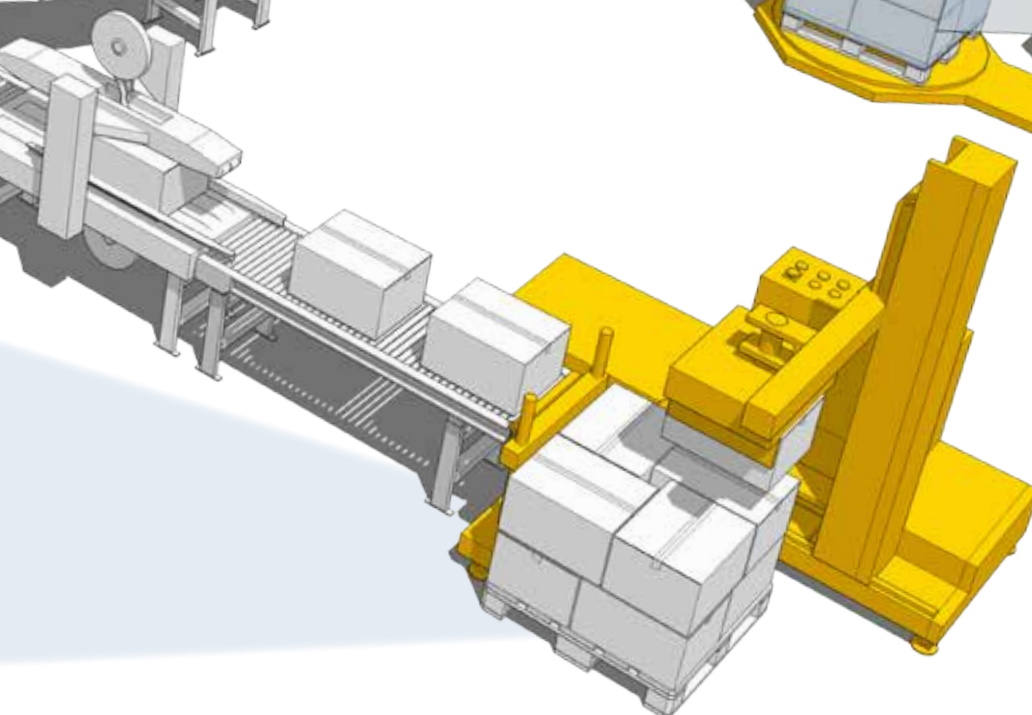
ANG - Servo Inverter



A - Helical bevel gearmotor



Primary Packaging
Filling, Dosing, Capping &
Labelling Machines



Tertiary Packaging
Palletizing (Pick &
Place) & Wrapping
Machines



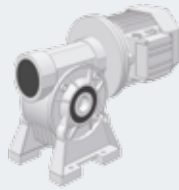
LIQUID FILLING PROCESS

1

Cleaning, Sterilizing & Drying

Solutions for Bottle Washer Machine

VF - Worm gearmotor



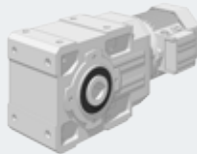
BENEFITS

- Cost effective
- Uncompromising quality
- Specially designed for food & beverage industries

FEATURES

- Food grade UH1 synthetic lubricant
- High and premium efficiency motors (IE2, IE3)

A - Helical bevel gearmotor



BENEFITS

- Compact
- Universal mounting
- Modular design

FEATURES

- Keyed hollow shaft (metric and inch series)
- High and premium efficiency motors (IE2, IE3)
- Wide range of feedback devices (incremental and absolute encoders)

Agile - Smart sensorless frequency inverter



BENEFITS

- Low energy consumption

FEATURES

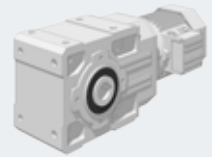
- Sensor-less vector control for asynchronous and synchronous motors
- Integrated torque off safety function
- Integrated Modbus
- Optional communication card (Profibus, CanOpen.....)
- Tropicalization option
- Main software features:
 - Integrated PLC function with graphic development environment
 - Torque limitation

2

Primary Packaging

Solutions for Filling, Dosing, Capping & Labelling Machines

A - Helical bevel gearmotor



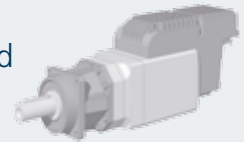
BENEFITS

- Compact
- Universal mounting
- Modular design

FEATURES

- Keyed hollow shaft (metric and inch series)
- High and premium efficiency motors (IE2, IE3)
- Wide range of feedback devices (incremental and absolute encoders)

TQ+iBMD - Servo gearmotor with Integrated Drive



BENEFITS

- Decentralized solution
- High precision and dynamic
- Highly compact
- Integrated programmability (ST language)

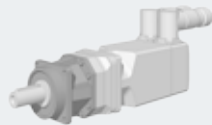
FEATURES

- Interpolated mode
- Positioning
- CAM profile
- Capture mode
- Codesys Driver

3 Secondary Packaging

Solutions for Carton Filling Machine (Pick & Place)

TQ - Precision planetary gearbox with **BMD** - Permanent magnet servo motor



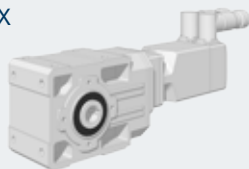
BENEFITS

- High precision and dynamic
- Highly compact
- High stiffness
- Designed for continuous and intermittent duty

FEATURES

- Different feedback systems available
- Brake option
- Inertia flywheel
- Customized windings on request

A - Helical bevel gearbox with **BMD** - Permanent magnet servo motor



BENEFITS

- Compact
- Universal mounting
- Modular design

FEATURES

- Keyed hollow shaft (metric and inch series)
- Super premium efficiency motors
- Wide range of feedback devices
- Brake option
- Inertia flywheel
- Customized windings on request

Active Cube - Premium Inverter



BENEFITS

- Interpolated operating mode
- Smooth start
- Torque control

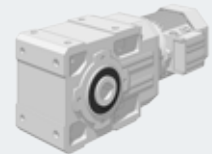
FEATURES

- Ethernet based drive
- Wide power range and parallel connection option to reach up to 1200 kW
- Integrated torque off safety function, external 24 Vdc control power supply
- Tropicalization option
- Integrated PLC function with graphic development environment

4 Tertiary Packaging

Solutions for Palletizing (Pick & Place) & Wrapping Machines

A - Helical bevel gearmotor



BENEFITS

- Compact
- Universal mounting
- Modular design

FEATURES

- Keyed hollow shaft (metric and inch series)
- High and premium efficiency motors (IE2, IE3)
- Wide range of feedback devices (incremental and absolute encoders)

ANG - Servo Inverter



BENEFITS

- Interpolated mode
- Fast loops control
- 2 encoder inputs

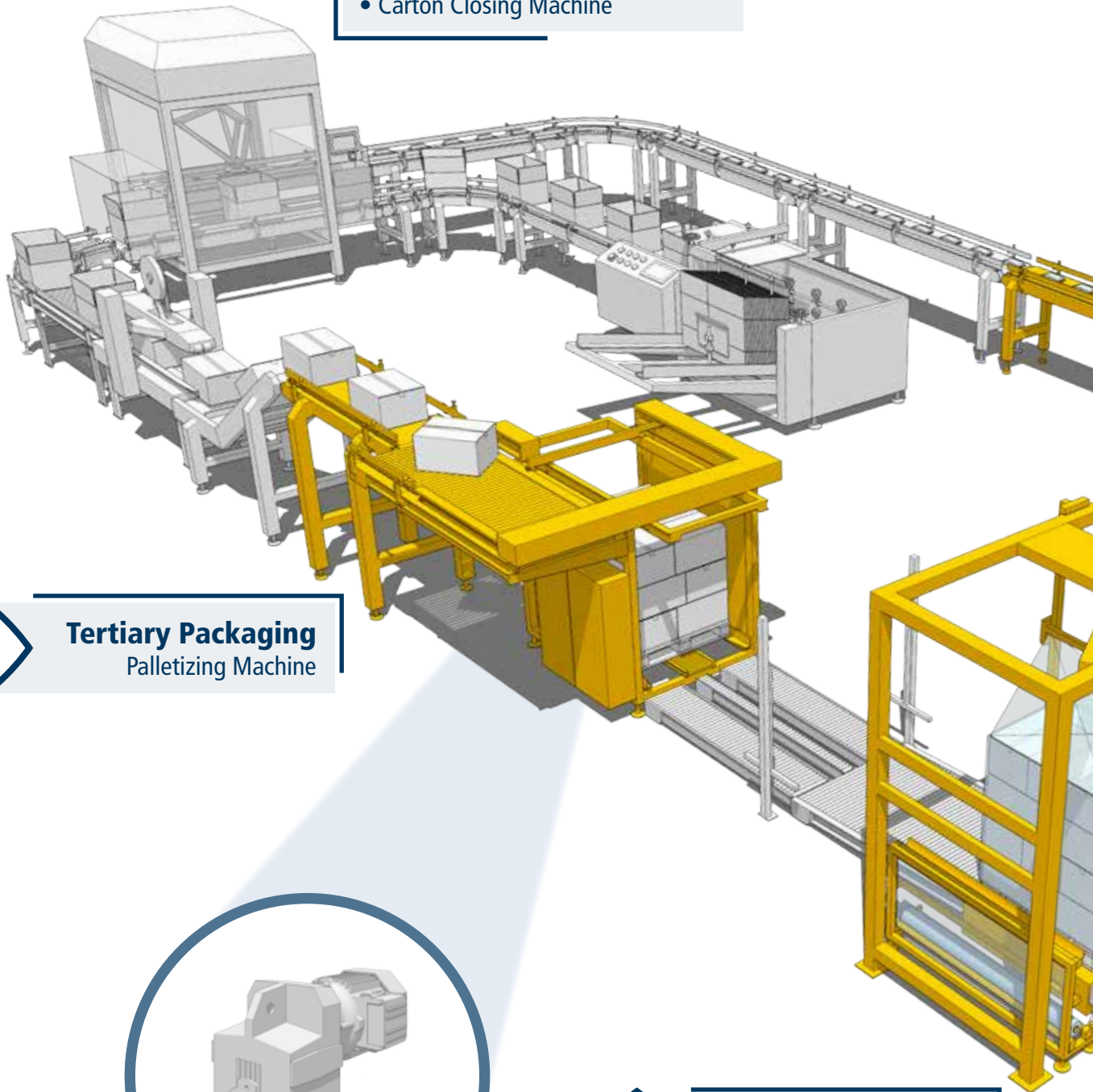
FEATURES

- EtherCAT, CAN open integrated
- Absolute encoders
- Resolver
- PCB coated

SOLID PACKAGING PROCESS

Secondary Packaging

- Carton Forming Machine
- Carton Filling Machine (Pick & Place)
- Carton Closing Machine

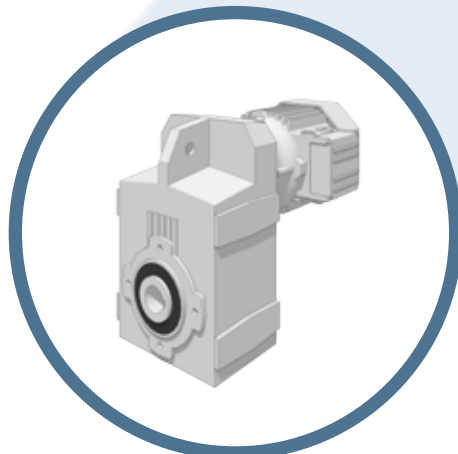


2

Tertiary Packaging
Palletizing Machine

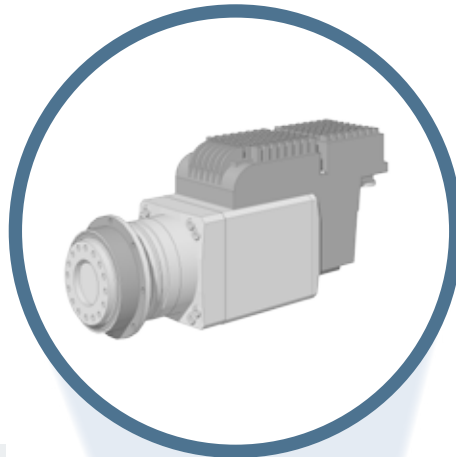
3

Tertiary Packaging
Wrapping Machine



F - Helical bevel gearmotor

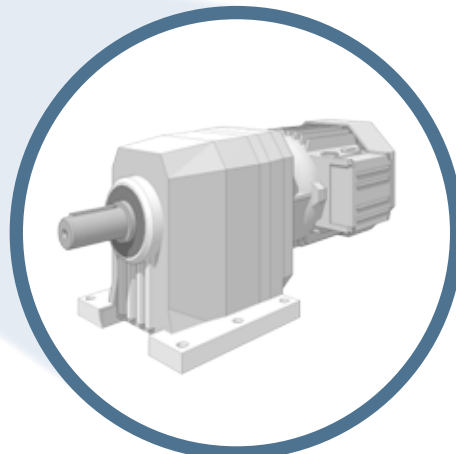
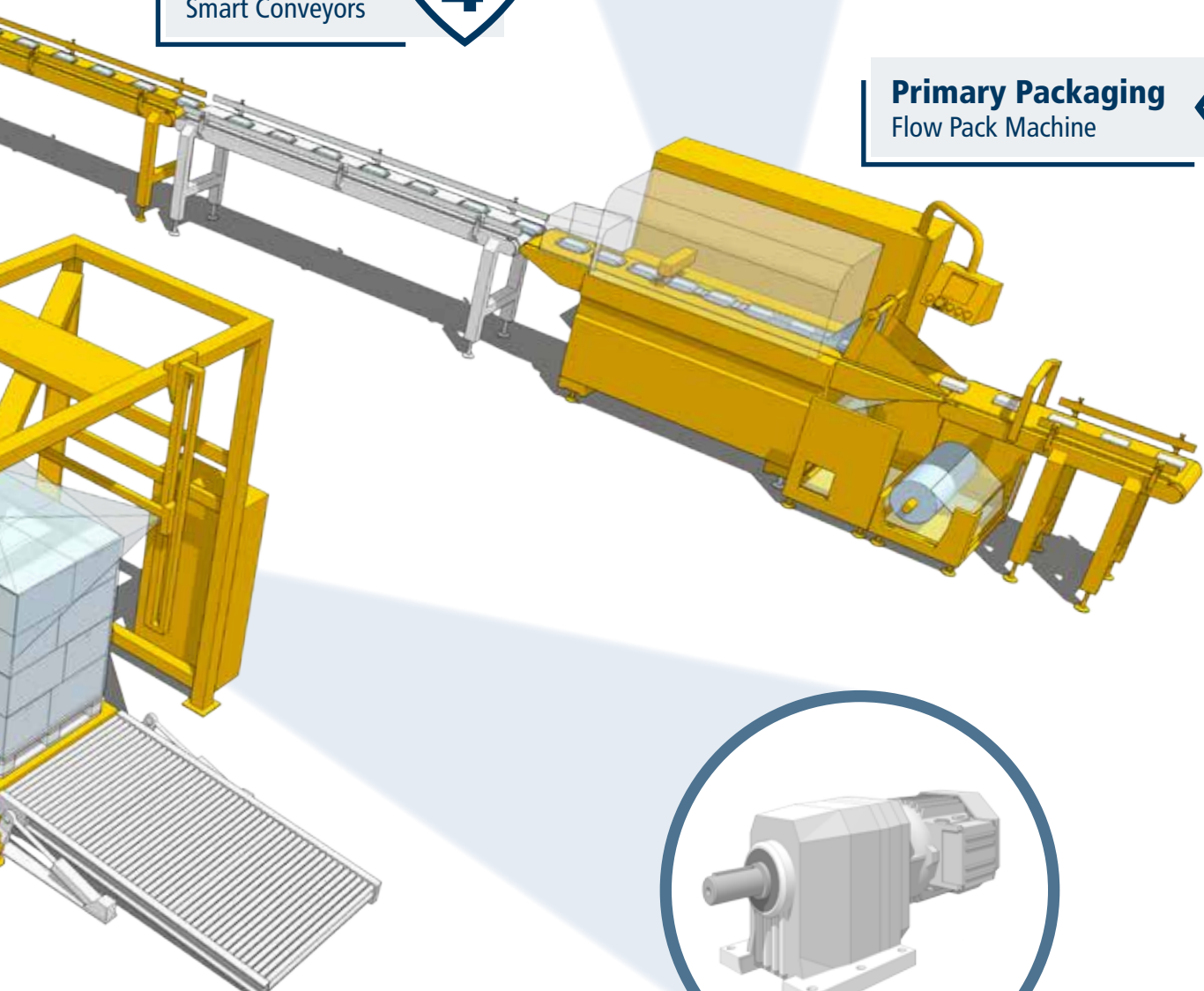
TQF+iBMD - Servo gearmotor
with Integrated Drive



Handling
Smart Conveyors



Primary Packaging
Flow Pack Machine



C - Coaxial gearmotor

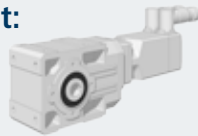
SOLID PACKAGING PROCESS

1 Primary Packaging

Solutions for Flow Pack Machine

• Infeed Conveyor-Smart Belt:

A - Helical bevel gearbox with **BMD** - Permanent magnet servo motor



BENEFITS

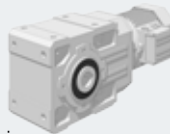
Compact design, Universal mounting, Modular design

FEATURES

- Keyed hollow shaft (metric and inch series)
- Super premium efficiency motors
- Wide range of feedback devices

• Unwinder:

A - Helical bevel gearmotor



BENEFITS

Compact design, Universal mounting, Modular design

FEATURES

- Keyed hollow shaft (metric and inch series)
- High and premium efficiency motors (IE2, IE3)
- Wide range of feedback devices (incremental and absolute encoders)

• Rotary Sealing Knives:

TQF+iBMD - Servo gearmotor with Integrated Drive



BENEFITS

Decentralized solution, High precision and dynamic, Highly compact

FEATURES

- Interpolated mode
- Positioning
- CAM profile
- Capture mode

Active Cube and/or Agile - Smart Inverter



BENEFITS

Loading system, Speed control or position mode with servomotor BMD, Manual or fully automatic feeding, "No production no bag" function

FEATURES

- EtherCAT
- Linear interpolation
- High efficiency
- Robust and reliable solution
- Multi communication protocols
- Sensorless vector control

2 Tertiary Packaging

Solutions for Palletizing Machine

F - Helical bevel gearmotor



BENEFITS

- Easy installation
- Low noise
- High torque capability

FEATURES

- Keyed Hollow Shaft - Two Bore Options per Size, Keyless Shrink Disc Fitting (Metric series)
- Keyed Hollow Shaft (Inch series)
- Back stops device
- High and premium efficiency motors (IE2, IE3)

Active Cube - Premium Inverter



BENEFITS

- Interpolated operating mode
- Smooth start
- Torque control

FEATURES

- Ethernet based drive
- Wide power range and parallel connection option to reach up to 1200 kW
- Integrated torque off safety function, external 24 Vdc control power supply
- Tropicalization option
- Integrated PLC function with graphic development environment

3 Tertiary Packaging

Solutions for Wrapping Machine

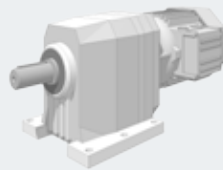
C - Coaxial gearmotor

BENEFITS

- Top torque density
- Highly compact
- Wide speed choice

FEATURES

- Wide choice of output bolt-on-flanges
- Special seals set for severe environment applications
- Surface protection class C3, C4 and C5 (according to UNI EN ISO 12944-2 standard)



Agile - Smart sensorless frequency inverter

BENEFITS

- Smooth start
- Feed roll control
- Low energy consumption

FEATURES

- Sensor-less vector control for asynchronous and synchronous motors
- Integrated torque off safety function
- Integrated Modbus
- Optional communication card (Profibus, CanOpen.....)



4 Handling

Solutions for Smart Conveyors

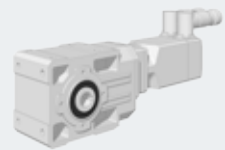
A - Helical bevel gearbox with BMD - Permanent magnet servo motor

BENEFITS

- Compact
- Universal mounting
- Modular design

FEATURES

- Sensorless control
- Protection rating up to IP65 (motor), IP56 (gearbox)
- Surface protection class C3, C4 and C5 (according to UNI EN ISO 12944-2 standard)
- Super premium efficiency motors (IE4)
- Wide range of feedback devices (absolute encoders)



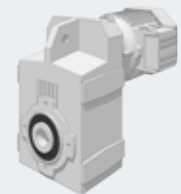
F - Shaft mounted gearmotor

BENEFITS

- Easy installation
- Low noise
- High torque capability

FEATURES

- Keyed hollow shaft - two bore options per size, keyless shrink disc fitting (metric series)
- Protection rating up to IP56
- Surface protection class C3, C4 and C5 (according to UNI EN ISO 12944-2 standard)
- High and premium efficiency motors (IE2, IE3)



Agile - Smart sensorless frequency inverter

BENEFITS

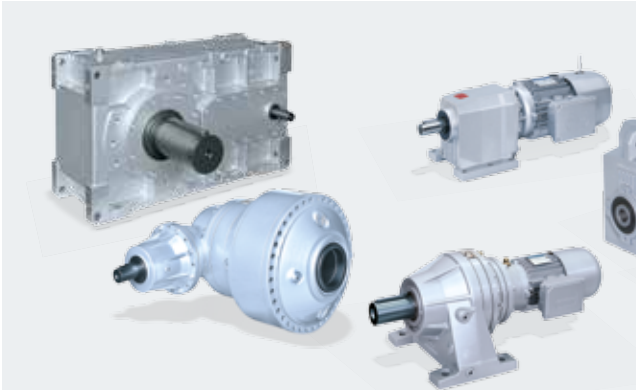
- Smooth start
- Feed roll control
- Low energy consumption

FEATURES

- Sensor-less vector control for asynchronous and synchronous motors
- Integrated torque off safety function
- Integrated Modbus
- Optional communication card (Profibus, CanOpen.....)



COMPLETE SOLUTION FOR POWER TRANSMISSION AND AUTOMATION



Gearboxes and Gearmotors

Heavy Duty Parallel/Right angle shaft gearmotors - HDP/HDO Series

Torque range: 5 000 to 210 000 Nm
Gear ratios: 7.1 to 500

Planetary gearmotors – 300 Series

Torque range: 1 250 to 1 287 000 Nm
Gear ratios: 3.4 to 5 234



Motors

Asynchronous motors – BN, BE, BX, M, ME, MX Series

A complete range of AC motors, including IE2 and IE3 for the highest efficiency



Mechanical ratings (4 pole): 0.06 to 30 kW
Poles: from 2 to 4/8

Asynchronous motors – BN, BE, BX, M, ME, MX Series

A complete range of AC motors, including IE2 and IE3 for the highest efficiency



Mechanical ratings (4 pole): 0.06 to 30 kW
Poles: from 2 to 4/8

Synchronous motors - BMD Series

Stall Torque: 0.2 to 115 Nm
Rated speed: from 1 600 to 6 000 min⁻¹
Power supply: 230, 400 VAC

Synchronous motors – BMD, BCR Series

Stall Torque: 0.2 to 115 Nm
Rated speed: from 1 600 to 6 000 min⁻¹
Power supply: 230, 400 VAC

Synchronous motors with integrated drives - iBMD Series

Stall Torque: 2.7 to 36 Nm
Rated speed: 3 000 min⁻¹
Power supply: 560 VAC

HEAVY DUTY

LIGHT DUTY

SERVO

Worm gearmotors – W/VF Series

Torque range: 13 to 7 100 Nm
Gear ratios: 7 to 10 000

Helical gearmotors - C Series

Torque range: 45 to 12 000 Nm
Gear ratios: 2.6 to 1 481

Bevel-helical gearmotors - A Series

Torque range: 100 to 14 000 Nm
Gear ratios: 5.4 to 1 715

Shaft-mounted gearmotors - F Series

Torque range: 140 to 14 000 Nm
Gear ratios: 6.4 to 2 099

Precision planetary servo gearmotors – TQ, TQK, TQF, TR, MP, LC, LCK, SL, KR Series

Torque range: up to 1 000 Nm
Gear ratios: up to 1 000
Backlash: lower than 2 arcmin



Inverters

Cabinet solution - Active Cube 8 IP 54

Power range: 200 up to 1 200 kW

Voltage: 400 V, 525V, 690V

Premium inverter - Active Cube Series

200V: 0.25 up to 9.2 kW

400V: 0.25 up to 400 kW

Premium inverter - Active Cube Series

200V: 0.25 up to 9.2 kW

400V: 0.25 up to 400 kW

Smart inverter - Agile Series

200V: 1 phase 0.12 up to 3 kW / 3 phase 0.25 up to 7.5 kW

400V: 0.25 up to 11 kW

Compact inverter - S2U Series

200V: 0.2 – 2.2 kW

Servo inverter - ANG Series

200V: 1 or 3 phase 0.25 up to 9.2 kW

400V: 0.25 up to 400 kW

Premium inverter - Active Cube Series

200V: 0.25 up to 9.2 kW

400V: 0.25 up to 400 kW

Smart inverter - Agile Series

200V: 1 phase 0.12 up to 3 kW / 3 phase 0.25 up to 7.5 kW

400V: 0.25 up to 11 kW



HMI

Human Machine Interfaces – BMI Series

3 Display sizes – 3.5", 7" and 10"

True flat front panel in IP65

High resolution 480x272 up to 1024x600 pixels

Human Machine Interfaces – BMI Series

3 Display sizes – 3.5", 7" and 10"

True flat front panel in IP65

High resolution 480x272 up to 1024x600 pixels

Human Machine Interfaces – BMI Series

3 Display sizes – 3.5", 7" and 10"

True flat front panel in IP65

High resolution 480x272 up to 1024x600 pixels

HEAVY DUTY

LIGHT DUTY

SERVO

Bonfiglioli worldwide presence

Bonfiglioli is located in regions and countries around the world that enable us to provide faster sales and service to customers.
We are around the world, and around the corner.



LOCAL SUPPORT



SALES, CUSTOMER SERVICE, WARRANTY, TECH SUPPORT, SPARE PARTS

21 BRANCH OFFICES IN 15 COUNTRIES



WORLDWIDE DISTRIBUTION NETWORK



Bonfiglioli worldwide locations

Australia

www.bonfiglioli.com.au
2, Cox Place Glendenning NSW 2761
Locked Bag 1000 Plumpton NSW 2761
Tel. + 61 2 8811 8000

Brazil

www.bonfigliolidobrasil.com.br
Travessa Cláudio Armando 171
Bloco 3 - CEP 09861-730 - Bairro Assunção
São Bernardo do Campo - São Paulo
Tel. +55 11 4344 2323

China

www.bonfiglioli.cn
Bonfiglioli Drives (Shanghai) Co., Ltd.
#68, Hui-Lian Road, QingPu District,
201707 Shanghai
Ph. +86 21 6700 2000

France

www.bonfiglioli.fr
14 Rue Eugène Pottier
Zone Industrielle de Moimont II - 95670 Marly la Ville
Tel. +33 1 34474510

Germany

www.bonfiglioli.de
Sperberweg 12 - 41468 Neuss
Tel. +49 0 2131 2988 0

Industrial

Europark Fichtenhain B6 - 47807 Krefeld
Tel. +49 0 2151 8396 0

O&K Antriebstechnik

Ruhrallee 8-12 - 45525 Hattingen
Tel. +49 0 2324 2050 1

India

www.bonfiglioli.in
Bonfiglioli Transmissions Pvt. Ltd.
Plot No. AC7-AC11, SIDCO Industrial Estate,
Thirumudivakkam - 600 044 Chennai
Tel.: +91 44 2478 1035

Italy

www.bonfiglioli.it

Headquarters

Bonfiglioli Riduttori S.p.A.
Via Giovanni XXIII, 7/A
Lippo di Calderara di Reno - 40012 Bologna
Tel. +39 051 647 3111

Mobile, Wind

Via Enrico Mattei, 12 Z.I. Villa Selva - 47100 Forlì
Tel. +39 0543 789111

Industrial

Via Bazzane, 33/A - 40012 Calderara di Reno
Tel. +39 051 6473111
Via Trinità, 1 - 41058 Vignola
Tel. +39 059 768511
Via Sandro Pertini lotto 7b - 20080 Carpiano
Tel. +39 02 985081

Bonfiglioli Mechatronic Research

Via F. Zeni 8 - 38068 Rovereto
Tel. +39 0464 443435/36

New Zealand

www.bonfiglioli.co.nz
88 Hastie Avenue, Mangere Bridge, 2022 Auckland
PO Box 11795, Ellerslie
Tel. +64 09 634 6441

Singapore

www.bonfiglioli.com
24 Pioneer Crescent #02-08
West Park Bizcentral - Singapore, 628557
Tel. +65 6268 9869

Slovakia

www.bonfiglioli.com
Robotnícka 2129
Považská Bystrica, 01701 Slovakia
Tel. +421 42 430 75 64

South Africa

www.bonfiglioli.co.za
55 Galaxy Avenue, Linbro Business Park - Sandton
Tel. +27 11 608 2030

Spain

www.tecnotrans.bonfiglioli.com
Tecnotrans Bonfiglioli S.A.
Pol. Ind. Zona Franca, Sector C, Calle F, nº 6
08040 Barcelona
Tel. +34 93 4478400

Turkey

www.bonfiglioli.com.tr
Atatürk Organize Sanayi Bölgesi, 10007 Sk. No. 30
Atatürk Organize Sanayi Bölgesi, 35620 Çiğli - İzmir
Tel. +90 0 232 328 22 77

United Kingdom

www.bonfiglioli.co.uk

Industrial

Unit 7, Colemeadow Road
North Moons Moat - Redditch, Worcestershire B98 9PB
Tel. +44 1527 65022

Mobile, Wind

3 - 7 Grosvenor Grange, Woolston
Warrington - Cheshire WA1 4SF
Tel. +44 1925 852667

USA

www.bonfiglioliusa.com
3541 Hargrave Drive
Hebron, Kentucky 41048
Tel. +1 859 334 3333

Vietnam

www.bonfiglioli.vn
Lot C-9D-CN My Phuoc Industrial Park 3
Ben Cat - Binh Duong Province
Tel. +84 650 3577411



We have a relentless commitment to excellence, innovation and sustainability. Our team creates, distributes and services world-class power transmission and drive solutions to keep the world in motion.



HEADQUARTERS

Bonfiglioli Riduttori S.p.A.
Via Giovanni XXIII, 7/A
40012 Lippo di Calderara di Reno
Bologna (Italy)
tel: +39 051 647 3111
fax: +39 051 647 3126
bonfiglioli@bonfiglioli.com
www.bonfiglioli.com