



Design Features include:

- Factory-assembled disc module for reliability & performance
- Easy installation and reduced wear
- High torsional stiffness
- High speed
- High misalignment capacity
- Reduced reactionary forces
- Low inertia

Applications:

- Reciprocating torques
- Test Benches
- Marine drives
- High speed compressors

Industry Compliant:

- ATEX II 2GD c T6
- DIN 740

Special design options:

- Special hub or flange connections
- Koniclump integrated clamping hub
- Special alloys, stainless steel, aluminum and carbon fiber versions
- Custom coatings for corrosion resistance
- Electrically insulated
- Combined with BSD clutches, brakes and backstops
- Combined with Autogard ball detent torque limiters

Rexnord BSD Modulflex Couplings Series 92x1 (Steel version)

**Customer-focused Solutions.
Reliable Performance.
Trusted Brands.**

You want a trusted name when it comes to providing engineered power transmission products that improve productivity and efficiency. Rexnord provides superior products for your industrial applications world wide. We work closely with you to reduce maintenance costs, eliminate redundant inventories and prevent equipment downtime.

BSD Modulflex

Modulflex® is an all-metal, flexible disc coupling featuring factory-assembled, interference-fit bolt joints unlike standard disc couplings. In addition to its modular design, Modulflex delivers higher speeds, greater torque transmission and easier installation.

Also available in aluminium and titanium. All models are available with optional integrated Koniclump® clamping hubs.



Modulflex® single Disc Module



Koniclump® integrated Clamping Hub

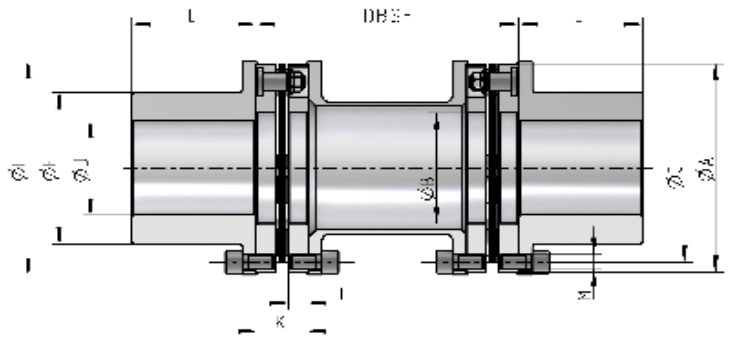


ATEX II 2GD c T6

Models

- 9201 Single-flex module only
- 9201-...-050 Double-flex module only
- 9211 Complete Single-flex coupling
- 9231 Complete Spacer coupling
- 9251 Complete Extended-Spacer coupling

Consult Rexnord for custom connections.



Size	Nominal Torque T_{KN} Nm	Max. Torque T_{Kmax} Nm	Misalignment			Torsional Spring Rate x 10 ⁵ (1) C_{Tdyn} Nm/rad	Max. Speed (4) n_{max} min ⁻¹	Moment of Inertia (5)			Weight (5)		
			Axial (1) ΔK_{amax} mm	Radial (2)/(3) ΔK_{rmax} mm	Angular (1) ΔK_{wmax} °			9201	9211	9231	9201	9211	9231
2,8	280	500	1,0	0,9 / 0,38	0,75	0,11	44000	0,0006	0,0012	0,0021	0,7	1,6	2,7
4,5	450	800	1,2	1,0 / 0,42	0,75	0,16	39000	0,0013	0,0025	0,0044	1,0	2,4	4,0
6,4	640	1250	1,3	1,2 / 0,41	0,75	0,41	31400	0,0029	0,0067	0,012	1,6	4,1	6,8
11	1100	2000	1,4	1,2 / 0,42	0,75	0,75	27100	0,0073	0,020	0,033	2,5	8,0	12,4
17	1700	3150	1,5	1,2 / 0,42	0,75	1,30	23200	0,0089	0,025	0,041	2,6	8,7	13,2
28	2800	5000	1,6	1,4 / 0,45	0,75	2,19	21000	0,018	0,046	0,076	3,9	12,1	18,9
45	4500	8000	2,0	1,6 / 0,58	0,75	3,53	18400	0,044	0,121	0,196	7,0	23,3	35,8
64	6400	12500	2,1	2,6 / 0,65	0,75	4,63	15600	0,076	0,205	0,339	9,9	31,4	49,0
110	11000	20000	2,5	2,8 / 0,75	0,75	6,52	14500	0,138	0,399	0,637	14,1	49,0	74,0
170	17000	31500	2,9	3,3 / 0,86	0,75	11,91	12800	0,275	0,724	1,20	21,0	65,0	104,0
280	28000	50000	3,2	3,5 / 1,0	0,75	17,18	11300	0,556	1,58	2,51	33,0	110,0	168,0
450	45000	80000	3,6	4,2 / 1,18	0,75	29,09	10100	1,04	2,63	4,41	48,0	145,0	235,0
640	64000	125000	4,1	4,4 / 1,33	0,75	39,48	8100	1,83	4,65	7,64	68,0	200,0	319,0
1100	110000	193000	4,6	4,9 / 1,65	0,75	59,24	7700	3,83	9,81	15,90	110,0	324,0	512,0
1700	170000	300000	4,8	5,4 / 2,0	0,75	74,61	6900	6,48	16,20	26,30	157,0	442,0	702,0

Size	Diameters mm						Lengths mm			
	A_{js}	B	C	D ^{H7} max	E	F	I	K	L	Min. DBSE* (6)
2,8	75	39	64	35	48	79	12,0	29,5	45	101
4,5	88	47	77	44	60	92	13,0	32,5	50	107
6,4	110	55	99	55	75	114	12,0	31,0	55	125
11	139	68	127	70	100	143	12,2	32,0	70	126
17	146	82	134	80	110	150	12,5	32,5	75	126
28	170	90	154	90	120	174	13,0	34,5	85	149
45	200	102	182	105	145	205	17,0	44,0	110	170
64	222	118	200	120	162	227	19,1	50,0	120	253
110	248	135	224	135	188	252	22,8	58,0	140	272
170	285	152	258	160	210	293	25,5	65,5	160	324
280	325	162	295	180	250	334	30,0	76,5	180	356
450	366	195	330	200	268	375	35,7	90,0	200	414
640	408	215	369	240	308	416	40,5	101,5	240	442
1100	465	250	420	270	358	475	51,0	126,0	270	505
1700	504	275	458	300	395	516	64,0	153,0	300	568

(1) Axial and angular misalignment as well as torsional spring rates refer to single-flex module

(2) Radial misalignments refer to model 9231 only

(3) Radial misalignments refer to double-flex module

(4) Dynamic balancing might be required for high speeds

(5) With maximum bore

(6) Maximum DBSE up to 6000 mm

* DBSE = Distance Between Shaft Ends

Data subject to change without notice.

Please consult Rexnord for larger sizes or special design requirements.