



Vacuum Handling Systems
Tube Lifters Jumbo and Lifting Devices VacuMaster



Schmalz

World of Vacuum Technology

Consistent customer orientation and groundbreaking innovations, excellent quality and comprehensive consulting competence make Schmalz the world's leading partner for vacuum technology in automation, handling and clamping applications.

As a company that acts globally and offers innovative products and services, we provide our customers with efficient solutions tailored precisely to their particular applications' requirements. We inspire our customers everywhere where production processes are designed more efficiently through the use of vacuum technology.

Schmalz Media Center

 www.schmalz.com/video

See our vacuum handling systems in action. The Schmalz Media Center will take you with few clicks to the application examples in your industry segment – user-friendly, informative and practical.



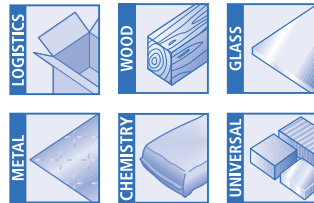
Lights, Camera, Action!

Just scan the QR code with your smartphone, select an industry segment and play the video.



Vacuum Handling Systems from Schmalz

Applications



Practical Examples from Selected Industries

4

Products



Vacuum Tube Lifters Jumbo

Move Goods Weighing up to 300 kg Quickly and Easily

12



Vacuum Lifting Devices VacuMaster

Move Heavy Loads Weighing up to Several Tons Ergonomically and Securely

24

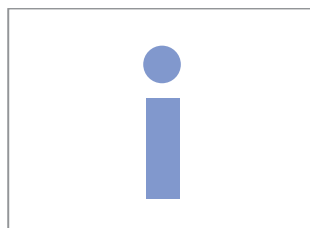


Crane Systems

Aluminum Crane Systems and Jib Cranes that are Designed Specifically for Your Handling System

40

From Task to Solution



Decide
Select
Design
Service
Contact

44

 Selection aid on page 46



Applications

Practical Examples from Selected Industries

Vacuum handling systems from Schmalz are used in a wide variety of industries to ensure efficient material flows. Our many years of experience and our close relationships with our customers mean we understand your processes, which allows us to produce products to meet the highest standards. They allow loads to be handled faster and more securely while protecting both the materials and your employees. At your request, Schmalz can provide you with a complete workplace solution consisting of a handling system and a crane designed to work perfectly with that system.



Vacuum tube lifter JumboErgo for lifting cardboard boxes



Logistics

Flexible Handling Solutions for Intra-Logistics, Distribution Logistics and Baggage Logistics

Whether in the goods receiving or shipping area, in a parcel distribution center or in an airport – anywhere goods are moved quickly and frequently, the vacuum tube lifter Jumbo ensures efficient material flows while easing the burden on your employees.



Vacuum tube lifter JumboFlex for lifting packages and for loading sorting and distribution machines



Vacuum tube lifter JumboFlex for handling packages in goods receiving/shipping



Vacuum tube lifter JumboFlex for handling baggage at airports



Vacuum tube lifter JumboErgo for packaging goods into boxes and handling the sealed boxes



Vacuum tube lifter JumboErgo for loading and unloading a CNC machining center



Wood

Efficient Machine Loading for all Types of Wooden Boards

The woodworking industry has relied on Schmalz handling systems for decades. They are used in combination with CNC machining centers or panel saws to ensure efficient operation and can fulfill the most demanding requirements, such as turning or swiveling workpieces.



Vacuum lifting device VacuMaster Multi with 90° swivel angle for handling heavy, porous wooden boards



Vacuum lifting device VacuMaster Comfort for turning coated wooden boards by 180°



Vacuum tube lifter JumboErgo with 90° swivel angle for loading a CNC machining center



Vacuum lifting device VacuMaster HHVM with manual 90° swiveling to both sides for loading a vertical panel dividing saw



Vacuum lifting device VacuMaster Window Comfort for loading and unloading a glazing press



Glass

The Highest Level of Security and Precision

Fragile windows and glass sheets require an especially gentle handling process. Vacuum handling allows a single person to easily move even heavy glass components without the risk of breakage.



Vacuum lifting device VacuMaster Window Comfort for vertical handling of a multi-sash window



Vacuum lifting device VacuMaster Window for vertical handling of glass elements



Vacuum lifting device VacuMaster Window for vertical handling of a glass sheet in a washing system



Vacuum lifting device VacuMaster Comfort for turning a glass sheet by 180°



Vacuum lifting device VacuMaster Comfort for loading and unloading a laser cutting machine



Metal and Sheet Metal

Increase Production Efficiency with Effective Machine Loading

Using Schmalz handling systems to load and unload punching machines, bending machines or CNC laser cutting systems reduces downtime while protecting the surface of sensitive workpieces. They can also be used to optimize handling of metal sections and coils.



The TRUMPF TruLaser 1030 integrated loading solution: consists of vacuum lifting device VacuMaster Basic and column-mounted jib crane



Vacuum lifting device VacuMaster Vario for handling heavy metal plates



Vacuum lifting device VacuMaster Coil with 90° swivel angle for handling coils



Vacuum lifting device VacuMaster Eco for energy-independent handling metal parts



Vacuum tube lifter Jumbo Sprint for palletizing barrels and bags



Chemicals and Pharmaceuticals

Reliable Handling of Goods in Potential Hazard Zones

In the chemical and pharmaceutical industry, safety is of the utmost importance when handling loads. Schmalz products allow bags, barrels, buckets and jugs to be handled smoothly and efficiently. Special solutions are available for explosion protection areas (see page 23).



Vacuum tube lifter JumboSprint Ex for handling paper bags in an explosion protection zone



Vacuum tube lifter JumboErgo with mechanical gripper for handling jugs



Vacuum tube lifter JumboFlex for palletizing plastic bags



Vacuum tube lifter JumboErgo with large-area gripper for handling four barrels at once



Wind energy | Vacuum lifting device VacuMaster for GRP components in rotor blade manufacturing weighing several tons and up to 60 m in length



Other Industries

The Right Handling Solution for Virtually any Task

Schmalz handling systems ensure efficient material flows in a number of other industries: From universally applicable standard devices to customer-specific solutions, Schmalz is your partner for vacuum handling.



Plastics | Vacuum lifting device VacuMaster Comfort with 90° swivel angle for handling plastic sheets



Solar | Vacuum tube lifter JumboErgo with 90° swivel angle for handling solar panels



Food industry | Vacuum tube lifter JumboErgo for handling blocks of cheese



Beverage industry | Vacuum tube lifter JumboErgo with mechanical pneumatic grippers for lifting and turning kegs



Rubber | Vacuum tube lifter JumboSprint for handling raw rubber bails



Building materials | Vacuum tube lifter JumboErgo with large-area gripper for palletizing grooved floor panels



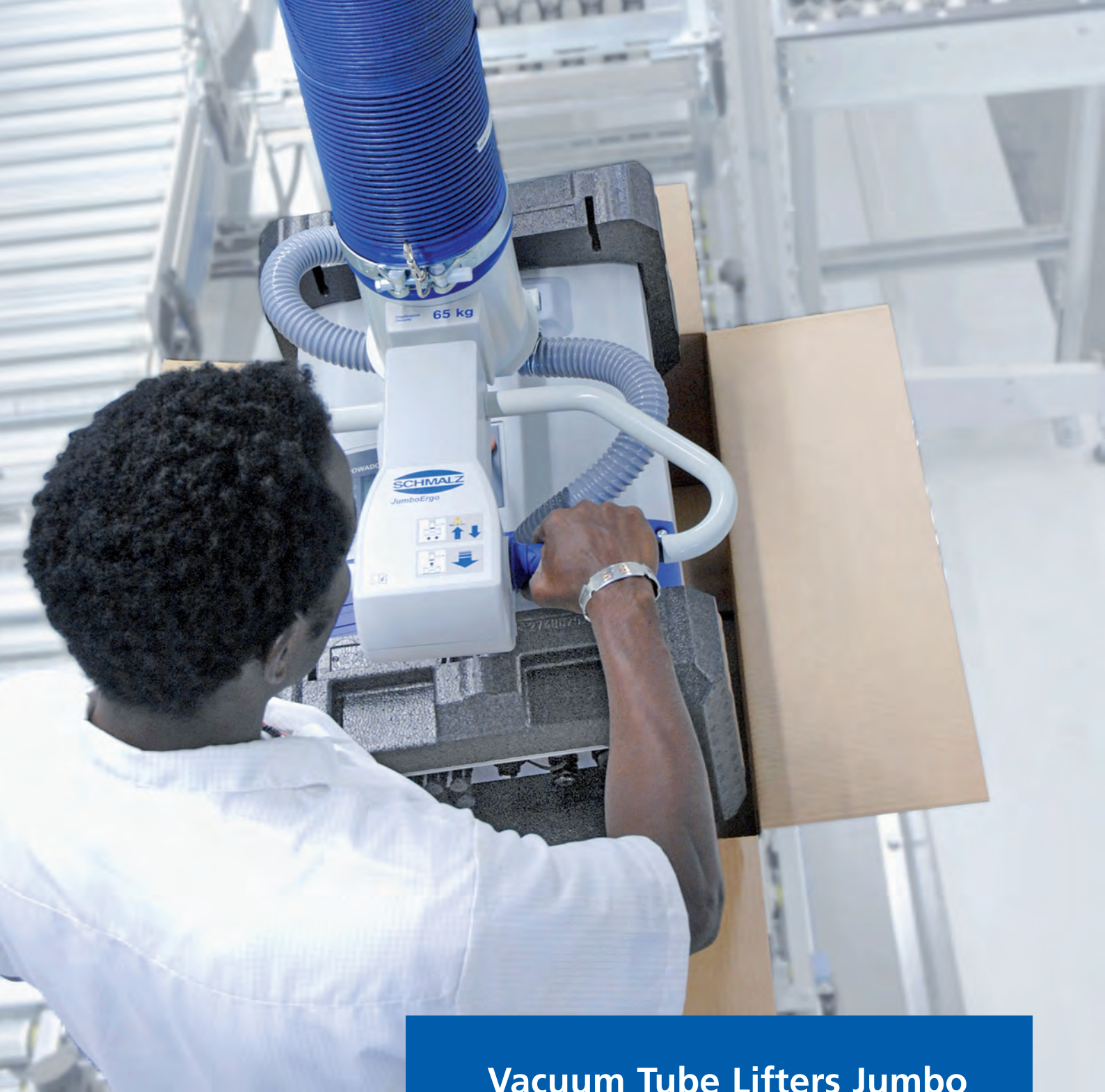
Custom solutions | Vacuum tube lifter JumboFlex for handling transport and storage boxes



Custom solutions | Vacuum lifting device VacuMaster Box employed in the assembly of large advertising signs



Custom solutions | Vacuum lifting device VacuMaster for unloading barrels from a loading platform



Selection aid
Jumbo or VacuMaster?
More on page 46

Vacuum Tube Lifters Jumbo

Move Goods Weighing up to 300 kg Quickly and Easily

Cardboard boxes, bags, barrels, wooden boards and a variety of other applications – the vacuum tube lifter Jumbo tackles big jobs in the shortest amount of time. The intuitive operation allows you to move loads quickly, precisely and always ergonomically. It is the ideal aid for machine loading, for shipping and picking areas and for many other lifting applications.

Vacuum Tube Lifters Jumbo

Introduction

Application

Fast and frequent lifting and moving of workpieces weighing up to 300 kg, for example:

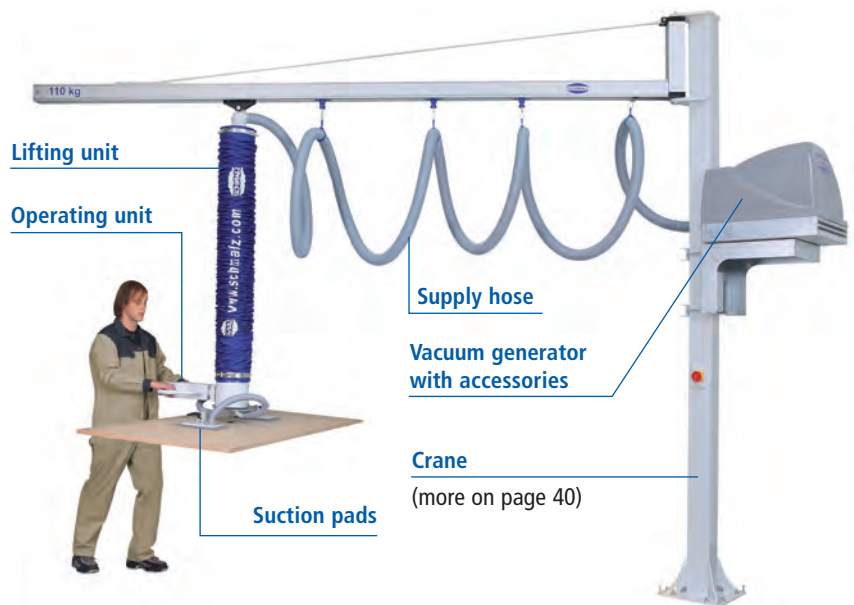
- Handling goods such as cardboard boxes, bags, barrels, buckets and jugs within in-house logistics processes
- Loading and unloading CNC machining centers

Your Benefits

- Increased productivity thanks to reduced handling and loading times
- Secure, damage-free gripping by using vacuum
- Minimization of downtime due to employee injury
- Increase in employee motivation
- Only one person for handling

Design and Function


The lifting unit, operating unit, suction pads and vacuum generator on the vacuum tube lifter Jumbo can be configured according to customer specifications. The Jumbo is characterized by its lifting unit, which contracts and extends when lifting and lowering the load. The large effective suction area confers a safe holding of the workpiece. Schmalz also offers a comprehensive range of accessories and a complete system with a highly responsive aluminum crane upon request.




Product Overview

Three high-performance types for a variety of applications: JumboFlex, JumboErgo and JumboSprint differ in the form and function of their operator handles and are conceived in each case for specific applications.

Type	Max. lift capacity (horizontal)								
	20 kg	35 kg	45 kg	65 kg	85 kg	110 kg	140 kg	200 kg	300 kg
JumboFlex	→		→		→		→		
JumboErgo / JumboSprint	→								



JumboFlex
One-hand operation for workpieces weighing up to 35 kg (page 14)



JumboErgo
For workpieces of many different shapes and sizes weighing up to 300 kg (page 18)



JumboSprint
For compact workpieces weighing up to 300 kg (page 18)

JumboFlex

Lift Capacity up to 35 kg



The vacuum tube lifter JumboFlex allows you to move lighter goods up to 35 kg ergonomically and with high cycle rates. The control handle fits comfortably in the hand and allows the operator to work for a long period of time without fatigue. With simple one-finger control, lifting, lowering and releasing the load is extremely intuitive.

The JumboFlex's wide range of features allows it to tackle virtually any task. It comes standard with a quick-change system for replacing the suction pads. Workpieces which are gripped from the vertical side automatically swing back into the horizontal position where they can be continuously rotated.

Suction Pads

Versatility is key: Schmalz offers the correct suction pads for virtually any application. You can also change grippers quickly and easily.

Quick-change adapter as standard



Round suction pad

For compact goods such as cardboard boxes, barrels, buckets, jugs and cabinets.



Round suction pad with skirt

For optimal sealing on plastic bags and shrink-wrapped packages.



Double suction pad

For stapled, glued, strapped or open cardboard boxes as well as small wooden boards.



Quadruple suction pad

For large cardboard boxes, wooden boards and other flat workpieces.



Multiple suction pad

For uneven workpieces such as foil trays or unstable cardboard boxes. The individual suction pads compensate for any unevenness.



2-in-1 gripper

Combination of a suction pad and a suspension hook for baggage pieces such as suitcases or bags.



Suspension hook

For mechanical suspension of buckets, jugs and other workpieces with a point from which to hang.



Box gripper

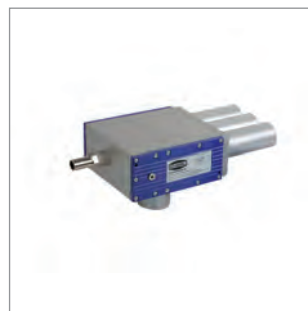
For transport and storage boxes from all commercial manufacturers.

Vacuum Generators



Vacuum pump EVE

Electric vacuum generator with short evacuation times and low power consumption.



Vacuum ejector SEM

Compact compressed air vacuum generator with a high flow rate.

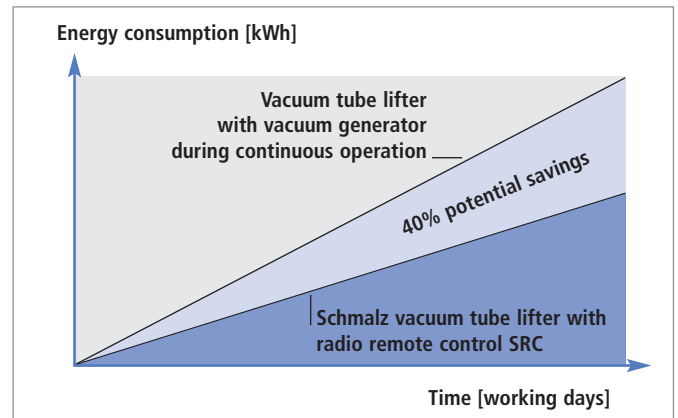


Accessories



Save up to 40% in energy with the push of a button

With the radio remote control SRC, you can directly switch off the vacuum generator on the operator handle when not in use and then back on again. The radio remote control is activated by a simple button push and needs no energy source due to an integrated induction generator.



Potential energy savings with radio remote control SRC



Reduced sound level

The silencer box SBB reduces the sound level of the vacuum generator to 65 dB(A) and protects it from outside dirt. It can be easily mounted on the optional blower console.



Protection against dirt

The dust filter STF keeps dirt particles away from the vacuum generator and is always recommended to protect the generator. It can be cleaned quickly and easily.



Protection against thermal overload

With the motor-protection switch MSS the vacuum generator can be switched on/off and protected against overcurrent. It can be integrated into the Schmalz crane column without the need for complicated wiring and can be optionally locked.



Secure storage

The storage rack AB-JU can be used to store the JumboFlex when not in use in order to protect the lift tube and suction pads.

JumboFlex

Technical Data



The vacuum tube lifter JumboFlex can be configured specifically based on the requirements of each individual application due to its modular design. The technical data varies depending on the configuration and on the suction pad chosen.

Vacuum generator

- Pump with 25, 40 or 50 m³/h suction capacity
- Ejector with 58 or 77 m³/h suction capacity

Lifting unit

- Max. lifting stroke (Z) 1,500 mm or 1,800 mm
- Diameter (D) 80 mm or 100 mm

Suction pad

Height from 50 mm up to 100 mm

The following technical data are standard values.

Jumbo type	Max. lift capacity [kg]	Workpiece format* [mm]		Max. lifting speed [m/min]	Max. lifting stroke Z [mm]	Height H** [mm]		Lift tube Ø D [mm]
		Minimum	Maximum			With vacuum pump	With vacuum ejector	
Flex 20	20	200 x 200	2,000 x 1,000	60	1,500	2,500	2,680	80
	20	200 x 200	2,000 x 1,000	60	1,800	2,800	2,980	80
Flex 35	35	200 x 200	2,000 x 1,000	60	1,500	2,500	2,680	100
	35	200 x 200	2,000 x 1,000	60	1,800	2,800	2,980	100

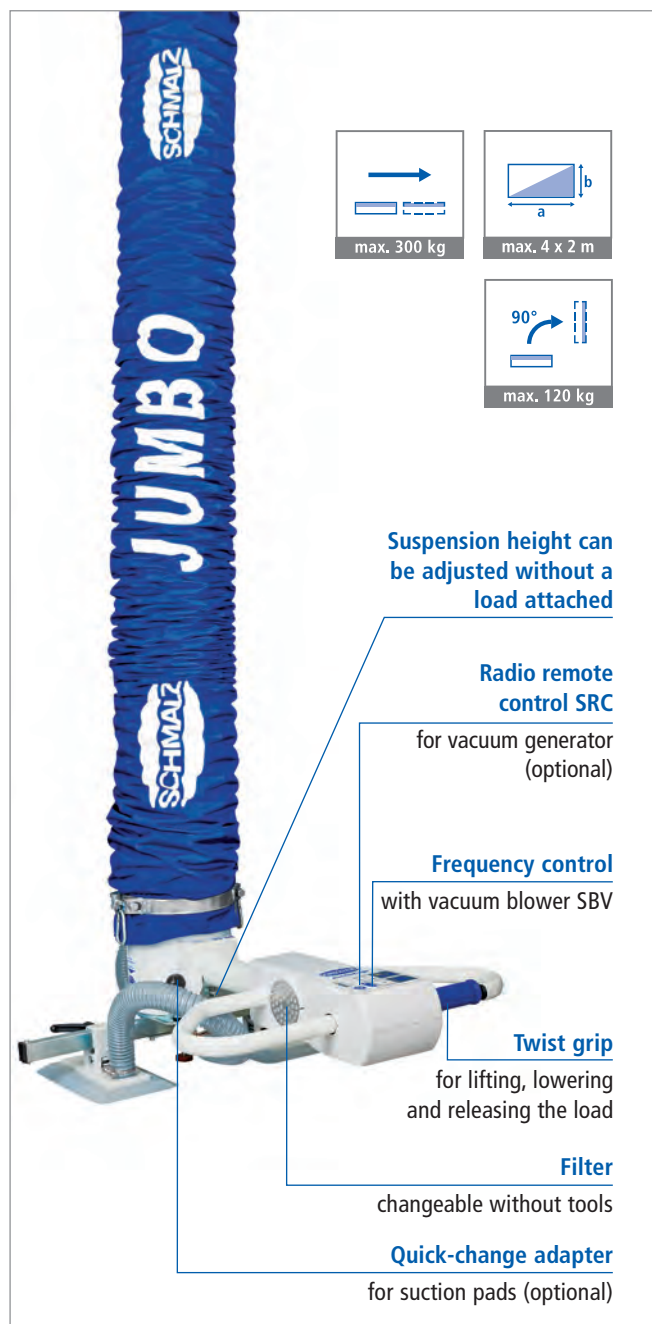
*Depends on the suction pad chosen

**Suction pads not included (total height = H + height of the suction pad)

JumboErgo and JumboSprint

Lift Capacity up to 300 kg

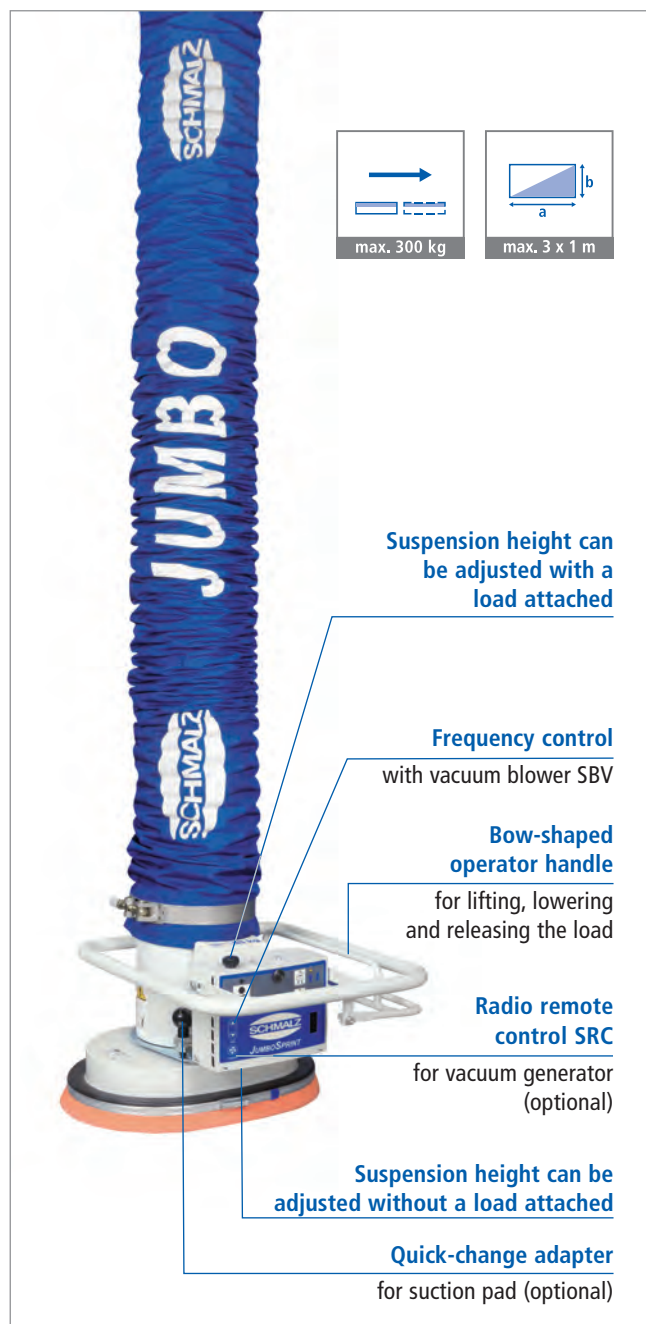
One modular system, two product types: The vacuum tube lifters JumboErgo and JumboSprint share a common technical basis but differ in terms of their operator handles.



JumboErgo

For workpieces of many different shapes and sizes

The twist grip on the JumboErgo is designed to operate like a motorcycle throttle. Large and heavy loads such as wooden boards, cardboard boxes and solar panels can be moved gently and precisely. The length of the operator handle can be varied, which allows the user to always maintain a safe distance from the load.



JumboSprint

For compact workpieces

The JumboSprint is equipped with a bow-shaped operator handle which extends all the way around the unit. This allows the user to optimally position it on compact goods such as bags or rubber bails. The load is raised by pulling up on the handle lever and lowered by pushing down.

Suction Pads

Versatility is key: Schmalz offers the right suction pads for virtually any application. With quick-change adapter the gripper can be changed quickly and easily.

Quick-change adapter
(optional)



Single suction pad

For compact goods such as cardboard boxes, barrels, buckets, jugs and cabinets.



Single suction pad, long

For pallets, narrow cardboard boxes, beams, square tubes and other elongated workpieces.



Round suction pad

For barrels, buckets or stone slabs with rough surfaces.



Sack gripper

For paper and plastic bags, raw rubber bails and shrink-wrapped packages.



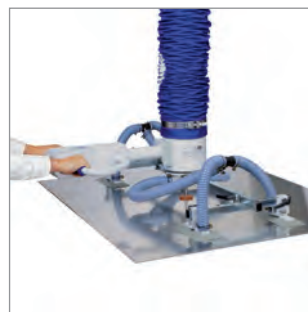
Double suction pad

For cardboard boxes, crates or sheets. The suction pads can be continuously adjusted along the beam.



Double suction pad FM

For pallets, sections or cut pieces where the suction pad is not fully covered by the workpiece. The grippers can be continuously adjusted along the beam.



Quadruple suction pad

For large cardboard boxes, sheets and non-rigid pieces. The suction pads can be continuously adjusted lengthwise and crossways.



Multiple suction pad

For uneven workpieces such as foil trays or unstable cardboard boxes. The individual suction pads optimally compensate for any unevenness.



Mechanical grippers

Schmalz offers mechanical gripper solutions for workpieces that cannot be vacuum-gripped, such as bags or open transport boxes.



Vacuum blowers SBM, SBL, SBV

Electric vacuum generators for workpieces weighing up to 300 kg. The frequency-controlled blower SBV is continuously variable, and its power can be adjusted to changing loads.

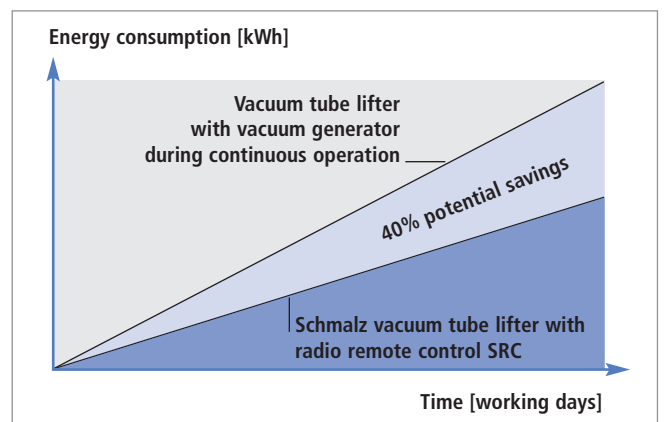


Vacuum ejector SEM

Compact, compressed air vacuum generator with high flow rate for workpieces weighing up to 85 kg.



Accessories



Save up to 40% in energy with the push of a button

With the radio remote control SRC, you can directly switch off the vacuum generator on the operator handle when not in use and then back on again. The radio remote control is activated by a simple button push and needs no energy source due to an integrated solar cell.

Potential energy savings with radio remote control SRC



Instantly switch suction pad

The quick-change adapter SWA allows you to quickly and easily switch the suction pad on your tube lifter in order to adapt to changing workpieces.



Swivel workpieces by 90°

With the push of a button, the pneumatic swiveling unit PSE allows the user to swivel workpieces weighing up to 120 kg securely and in an ergonomic fashion.



Continuously rotate workpieces

With the rotation unit DE, vacuum-gripped workpieces weighing up to 200 kg can be continuously rotated and positioned precisely.

JumboErgo and JumboSprint

Lift Capacity up to 300 kg



Maximize stack heights

High stacking heights are no problem with the movable operator handle (only for JumboErgo). An optional locking mechanism allows it to be fixed at different angles.



Instantly release workpieces

The venting unit BEL allows non-porous workpieces to be released from the suction pad and set down.



Reduce the sound level

The silencer box SBB reduces the sound level of the vacuum generator to 65 dB(A) and protects it from outside dirt. It can be easily mounted on the optional blower mounting platform.



Protection against dirt

The dust filter STF keeps dirt particles away from the vacuum generator and is always recommended to protect the generator. An optional differential pressure monitor with a signal lamp indicates when the dirty filter has to be changed.



Reach into deep containers

The hose-cylinder extension SZV enables ergonomic loading and unloading of containers such as lattice boxes.



Protection against thermal overload

With the motor-protection switch MSS the vacuum generator can be switched on/off and protected against overcurrent. It can be integrated into the Schmalz crane column without the need for complicated wiring and can be optionally locked.



Spring balancer for long operator handles

The spring balancer FZG keeps the tube lifter JumboErgo balanced and is recommended if the operator handle is longer than 750 mm.



Protection against wear

The protective tube prevents mechanical damage to the lift tube and is easy to clean. The retaining net protects the suction pads and the lift tube when the tube lifter is not in use and allows for space-saving storage.

JumboErgo and JumboSprint

Technical Data



The vacuum tube lifters JumboErgo and JumboSprint can be configured specifically based on the requirements of each individual application due to their modular design. The technical data varies depending on the configuration and on the suction pad chosen.

Vacuum generator

- Blower with 155, 185 or 220 m³/h suction capacity
- Ejector with 132 m³/h suction capacity

Lifting unit

- Max. lifting stroke (Z) 1,700 mm or 2,100 mm
- Diameter (D) 120 mm up to 305 mm

Operator handle

Operator handle length (L)

- JumboErgo: 350 mm up to 1,000 mm
- JumboSprint: 155 mm up to 500 mm

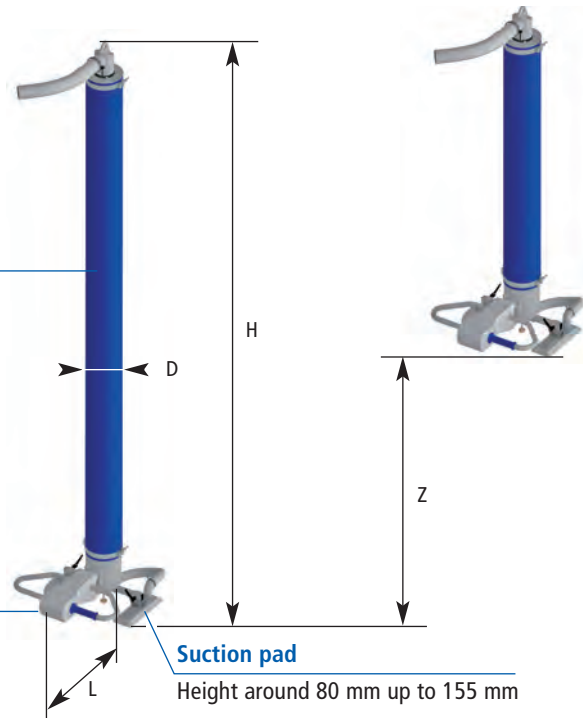


Fig. shows JumboErgo

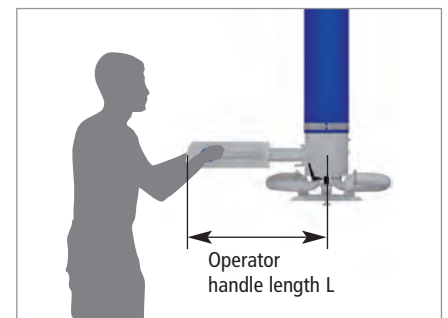
The following technical data are standard values.

Type	Workpiece format* [mm]		Operator handle length L [mm]	Max. lifting speed [m/min]	Max. lifting stroke Z [mm]	Height H** [mm]
	Minimum	Maximum				
JumboErgo	300 x 200	4,000 x 2,000	350 – 1,000	60	1,700	2,850
	300 x 200	4,000 x 2,000	350 – 1,000	60	2,100	3,400
JumboSprint	300 x 200	3,000 x 1,000	155 – 500	60	1,700	2,850
	300 x 200	3,000 x 1,000	155 – 500	60	2,100	3,400

A lift capacity of 140 kg and higher applies: lifting stroke Z +160 mm, height H +250 mm

*Depends on the suction pad chosen

**Suction pad not included (total height = H + height of the suction pad)



The operator handle for the JumboErgo is designed with safety in mind, allowing the operator to maintain a safe distance when oversized workpieces are being lifted.

Lift Capacities

Jumbo type	Max. lift capacity [kg]		Ø Lift tube D [mm]	Max. lift capacity							
	Horizontal	90° swivel		35 kg	45 kg	65 kg	85 kg	110 kg	140 kg	200 kg	300 kg
Ergo/Sprint 35	35	–	120	→							
Ergo/Sprint 45	45	30	140	→	→						
Ergo/Sprint 65	65	50	160	→	→	→					
Ergo/Sprint 85	85	70	178	→	→	→	→				
Ergo/Sprint 110	110	90	203	→	→	→	→	→			
Ergo/Sprint 140	140	120	230	→	→	→	→	→	→		
Ergo/Sprint 200	200	–	250	→	→	→	→	→	→	→	
Ergo/Sprint 300	300	–	305	→	→	→	→	→	→	→	→



JumboSprint Ex

Safe Handling in an Explosion Protection Zone



Application

Efficient handling of loads weighing up to 250 kg in explosion protection zones

- Lifting of bags, barrels, cardboard boxes, jugs, buckets and varnish/paint containers
- Preparation and positioning of filled bags, e.g. for emptying into hoppers or mixers
- For use in explosion protection zones 1/21 and 2/22
- Certified according to ATEX 94/9/EC standard – Can be used throughout Europe without country-specific certificate

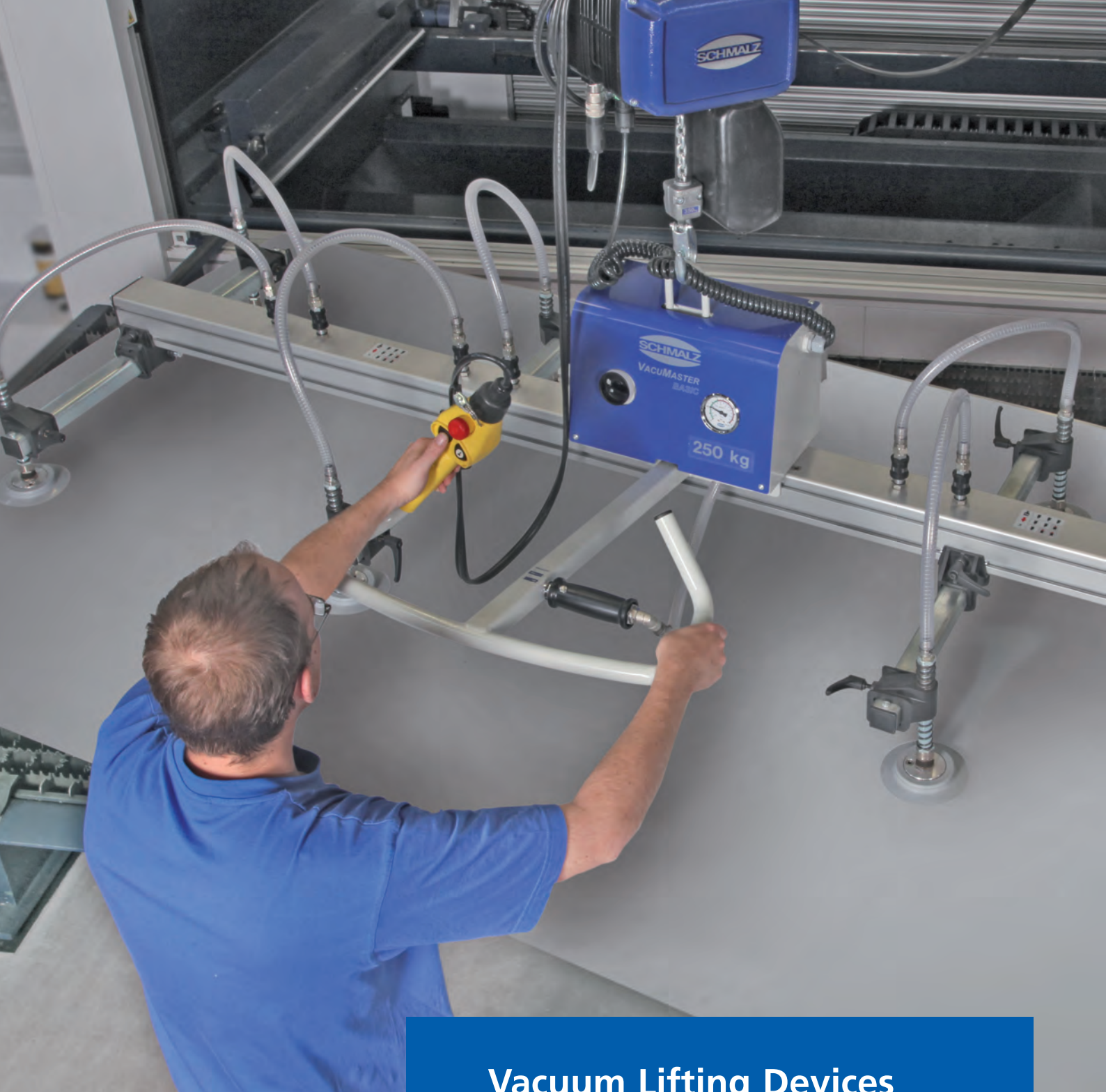
Special Features

- Operator handle and suction pads made from stainless steel
- All conductive parts are connected with a potential equalization
- Conductive lift tube made from a special material
- Vacuum generator either compressed air driven (ejector up to 85 kg) or electric (blower up to 250 kg)
- Various suction pads in explosion protection design
- Easily change suction pads using the quick-change adapter (optional)
- Complete system for vacuum tube lifter and steel jib crane for explosion protection zone available



Areas of Application

Explosion zone	Vacuum generator	Max. lifting stroke [mm]	Max. lift capacity							
			35 kg	45 kg	65 kg	85 kg	110 kg	140 kg	200 kg	250 kg
1/21	Ejector	1,700/2,100	→	→	→	→				
2/22	Ejector	1,700/2,100	→	→	→	→				
	Blower	1,700/2,100	→	→	→	→	→	→	→	→



Vacuum Lifting Devices VacuMaster

Move Heavy Loads Weighing up to
Several Tons Ergonomically and Securely

The vacuum lifting device VacuMaster from Schmalz is the ultimate workhorse. Whether handling metal plates, wooden boards, plastic sheets, barrels, windows or glass sheets – the VacuMaster tackles even the heaviest tasks with weights up to several tons. For applications where many hands would normally be required, the VacuMaster allows workpieces to be handled effortlessly by just a single operator while protecting the employee's health.



Selection aid
Jumbo or VacuMaster?
More on page 46

Vacuum Lifting Devices VacuMaster

Introduction

Application

For handling large, flat and typically non-porous workpieces, for example:

- Loading and unloading CNC laser cutting machines with metal plates
- Loading and unloading CNC machining centers with wooden boards or plastic sheets
- Handling and positioning glass panels and windows during production, framing and installation

Your Benefits

- Efficient, non-damaging handling of heavy loads
- To work ergonomically and protect operator health
- Excellent work safety and process reliability thanks to vacuum reservoir and audible warning device
- Long service life due to a robust mixture of steel, aluminum and high-strength plastic
- Low operating costs thanks to controlled vacuum generator with energy saving (Comfort version)

Design and Function

The vacuum lifting device VacuMaster has a modular design. Various basic modules, operator handles, load beams and suction plates allow you to customize the configuration. The necessary suction force is generated by the vacuum generator and transferred to the workpiece via the suction plates. For safety purposes, the aluminum load beam also serves as a vacuum reservoir. A chain hoist is required for lifting or lowering motion, which Schmalz offers along with a compatible crane system.

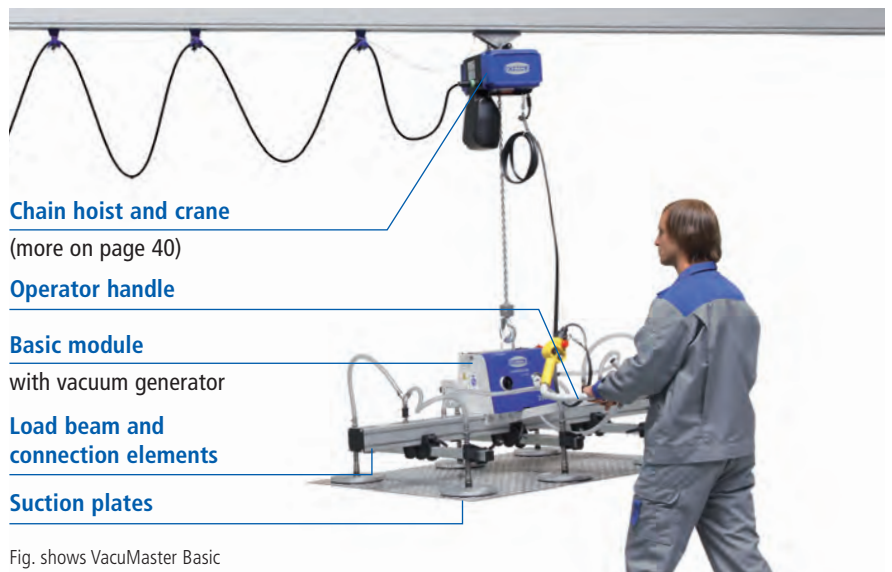


Fig. shows VacuMaster Basic

Product Overview

The right solution for any task: With their modular system, the VacuMaster Basic and VacuMaster Comfort cover standard applications weighing up to 750 kg. Schmalz also offers additional lifting devices which are specially designed for the specific requirements of certain industries.

Type	Max. lift capacity						
	100 kg	125 kg	250 kg	500 kg	1000 kg	1500 kg	2000 kg
VacuMaster Horizontal	→	→	→	→	→	→	→
VacuMaster 90° Swiveling	→	→	→	→	→	→	→
VacuMaster 180° Turning	→	→	→	→	→	→	→

----- Additional lift capacities up to more tons on request



VacuMaster Basic and VacuMaster Comfort

Flexible modular system for standard applications weighing up to 750 kg (page 26)



Additional VacuMaster

For special lift capacities and industry requirements (page 32)

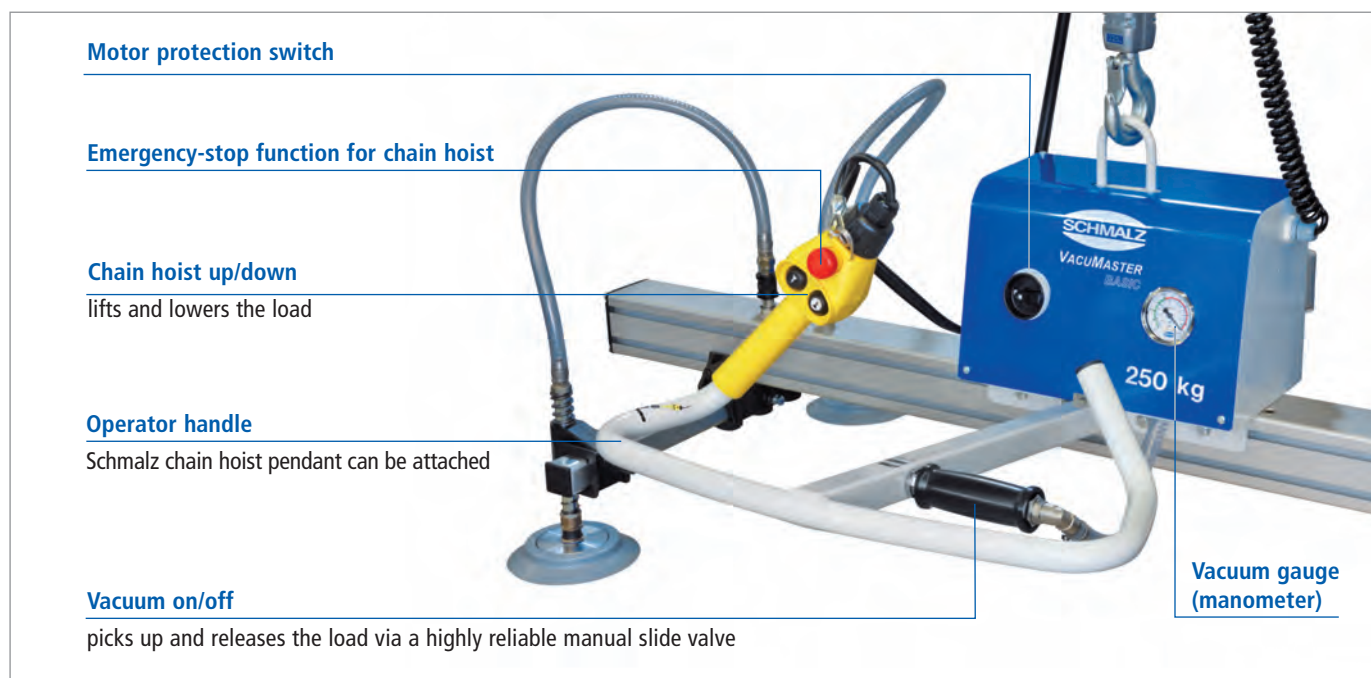
VacuMaster Basic and VacuMaster Comfort

Lift Capacity up to 750 kg

The VacuMaster Basic's versatile standard equipment makes it indispensable for many applications. In addition, the VacuMaster Comfort offers an operator handle that brings together all of the device's controls as well as a controlled vacuum generator for reducing energy consumption.

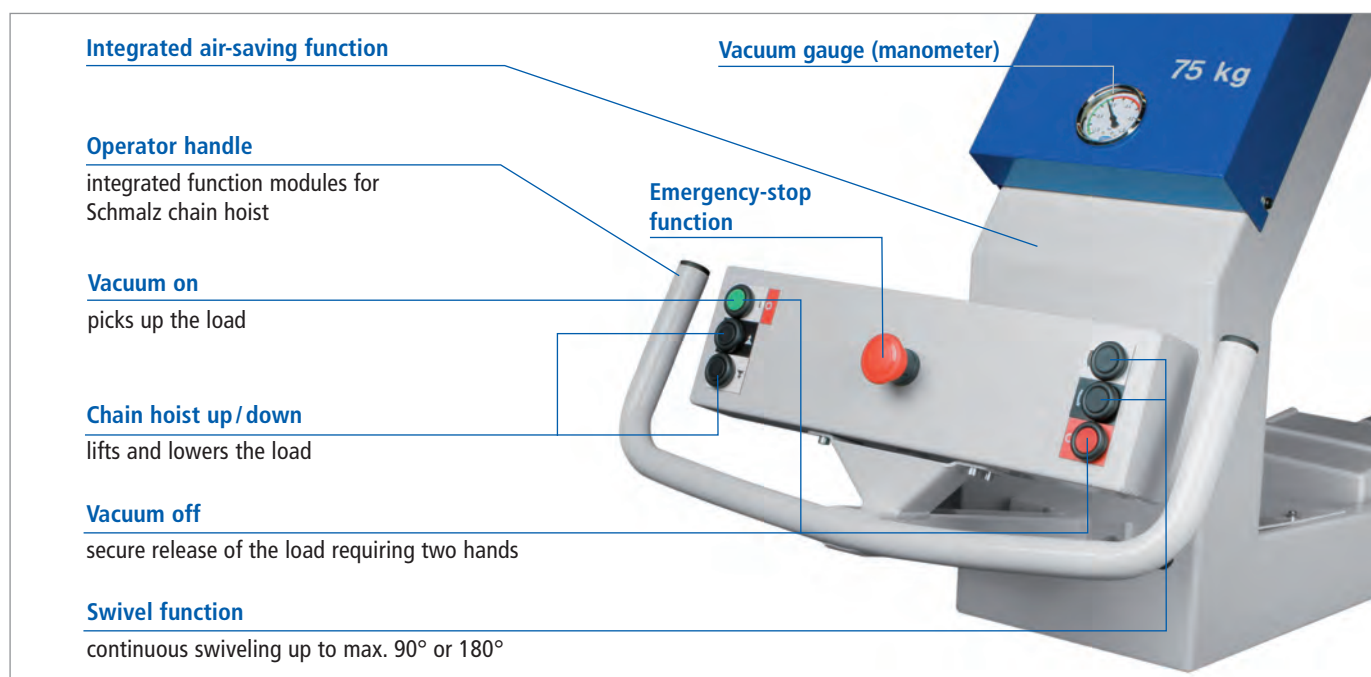


VacuMaster Basic



www.schmalz.com/vm-basic

VacuMaster Comfort



www.schmalz.com/vm-comfort

Basic Module

The basic module is the heart of every VacuMaster. It contains the vacuum generator, an audible warning device as well as all the measuring and control devices. Depending on the application, you can choose from three different basic modules whose shape and design are optimally suited to the handling task.



Horizontal handling

Standard design with vacuum generator, audible warning device, vacuum gauge (manometer) and motor protection switch. Protection of the components under a robust sheet metal barrier.

- For lift capacity up to 750 kg



90° swiveling

Basic version adds to electric drive for jolt-free, continuous swiveling through 90°.

- For lift capacity up to 500 kg



180° turning

Basic version adds to electric drive for jolt-free, continuous turning through 180°.

- For lift capacity up to 500 kg

Vacuum Generators



Vacuum pump EVE

Electric vacuum generator for smooth and suction-tight workpieces weighing up to 750 kg.



Vacuum ejector SEM

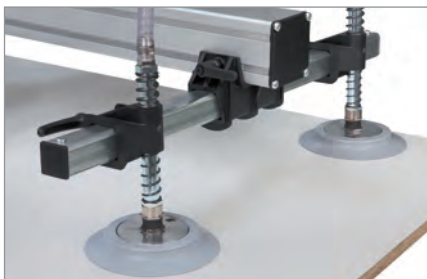
Compressed air vacuum generator with high flow rate for porous workpieces weighing up to 250 kg. Only for horizontal handling.



Reliable and safe vacuum control

VacuMaster Basic with manual slide valve for high safety by double actuation and anti-trap protection. Prevents unwanted losing of the load.

Load Beam and Connection Elements



Light, robust and flexible

The combination of aluminum and high-strength plastic allows the cross beams and suction plates to be easily adjusted to quickly adapt to changing formats.



Integrated vacuum reservoir

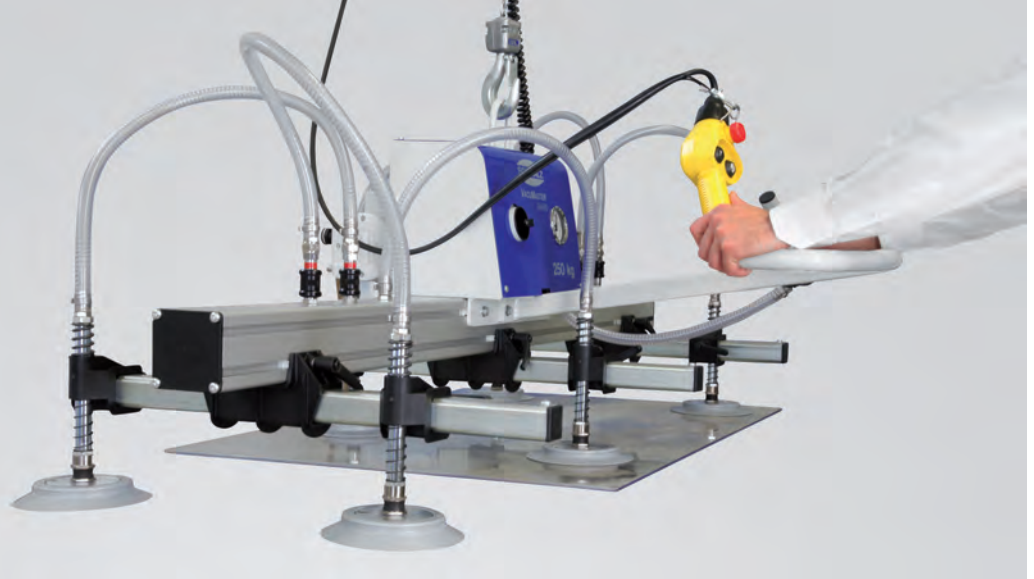
The large vacuum reservoir prevents the load from falling in the case of a power failure and makes gripping faster during repeated lifting processes.

Suction Plates



Versatility for every task

Allows for optimal adaptation to the work-piece and to requirements such as heat resistance, food safety and mark-free gripping. Select from suspension which is rigid, spring-mounted or both flexible and spring-mounted.



Accessories



Maximize stack heights

Large height differences are no problem with the swiveling and locking operator handle. The working posture remains ergonomic in any position.



Adapts to changing workpieces

With the suction pad shut-off valve several suction pads can be turned off for handling of cut pieces or pieces with gaps.



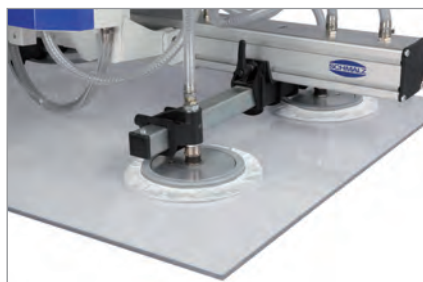
Secure storage of the lifting device

When the lifting device is not in use, the parking stands allow it to be stored securely while protecting the suction pads. This allows the crane to be used for other purposes.



Quick-connect electrical connection

The CEE plug suggests the lifting device to be easily connected to the power supply and then quickly disconnected if necessary (only for VacuMaster Basic).



Mark-free handling

The suction plate covers prevent the plates from leaving marks on sensitive workpieces such as glass sheets or solar panels.



Protection against water

The maintenance-free water separator prevents water from entering the vacuum generator during moist processes such as waterjet cutting.

VacuMaster Basic and VacuMaster Comfort

Technical Data



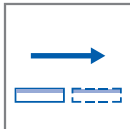
Thanks to their modular system, the VacuMaster Basic and VacuMaster Comfort can be custom configured for any application. The technical data of the devices are dependent on the selected configuration. You can use the following data on pre-configured lifting devices for standard workpiece formats as a guide for determining the recommended values for your VacuMaster.

Proceed as Follows

1. Select type of handling
e.g. horizontal handling

2. Select lift capacity
e.g. 250 kg

3. Select workpiece format
e.g. 2,000 x 1,000 mm



Horizontal Handling

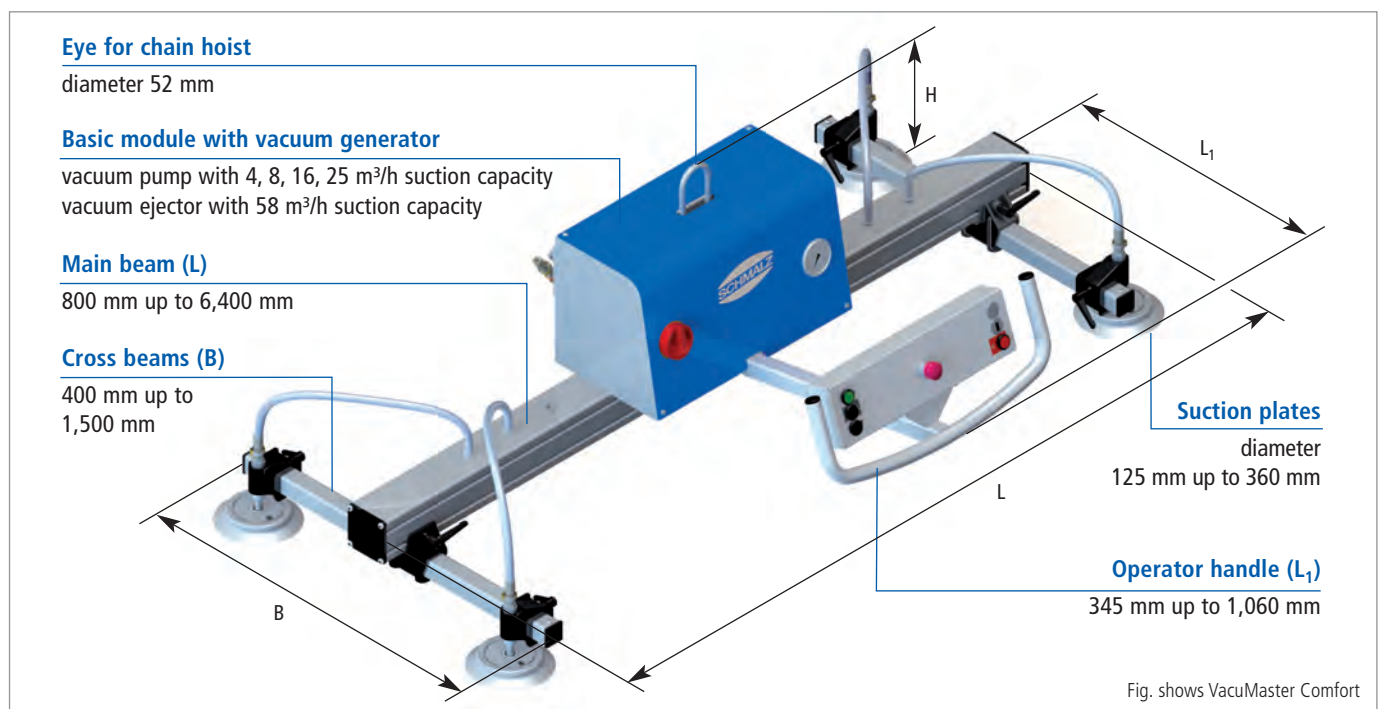


Fig. shows VacuMaster Comfort

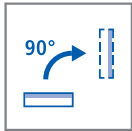
VacuMaster type* Max. lift capacity [kg]	Workpiece format [mm]	Dimensions L x B (length x width) [mm]	Overall height H [mm]		Operator handle L ₁ [mm]	Suction plates**		Weight [kg]	
			Basic	Comfort		No.	Ø [mm]	Basic	Comfort
Basic/Comfort 125	1,000 x 1,000	400 x 250	490	445	655	1	250	38	42
	2,000 x 1,000	1,600 x 370	410	445	645	2	210	42	50
	2,500 x 1,250	1,600 x 750	490	525	745	4	125	52	64
	3,000 x 1,500	2,400 x 1,150	555	590	945	6	125	62	68
	4,000 x 2,000	3,200 x 1,500	555	590	1,045	8	125	80	88
Basic/Comfort 250	1,000 x 1,000	400 x 360	490	445	655	1	360	40	45
	2,000 x 1,000	1,600 x 410	410	445	645	2	250	44	52
	2,500 x 1,250	1,600 x 750	490	525	745	4	210	54	62
	3,000 x 1,500	2,400 x 1,150	555	590	945	6	160	59	67
	4,000 x 2,000	3,200 x 1,500	555	590	1,045	8	125	80	88
Basic/Comfort 500	2,500 x 1,250	1,600 x 750	570	605	760	4	250	71	84
	3,000 x 1,500	2,400 x 1,150	635	670	960	6	210	88	91
	4,000 x 2,000	3,200 x 1,500	635	670	1,060	8	210	106	130
Basic/Comfort 750	3,000 x 1,500	2,400 x 1,150	635	670	960	6	250	91	105
	4,000 x 2,000	3,200 x 1,500	635	670	1,060	8	210	115	122

*The shown VacuMaster are example configurations: The VacuMaster Basic/Comfort can be adapted flexibly to individual workpiece formats.

**The indicated number of suction plates is possible for handling of rigid goods. For unstable and thin workpieces the numbers of suction plates will be increased.

VacuMaster Basic and VacuMaster Comfort

Technical Data



90° Swiveling

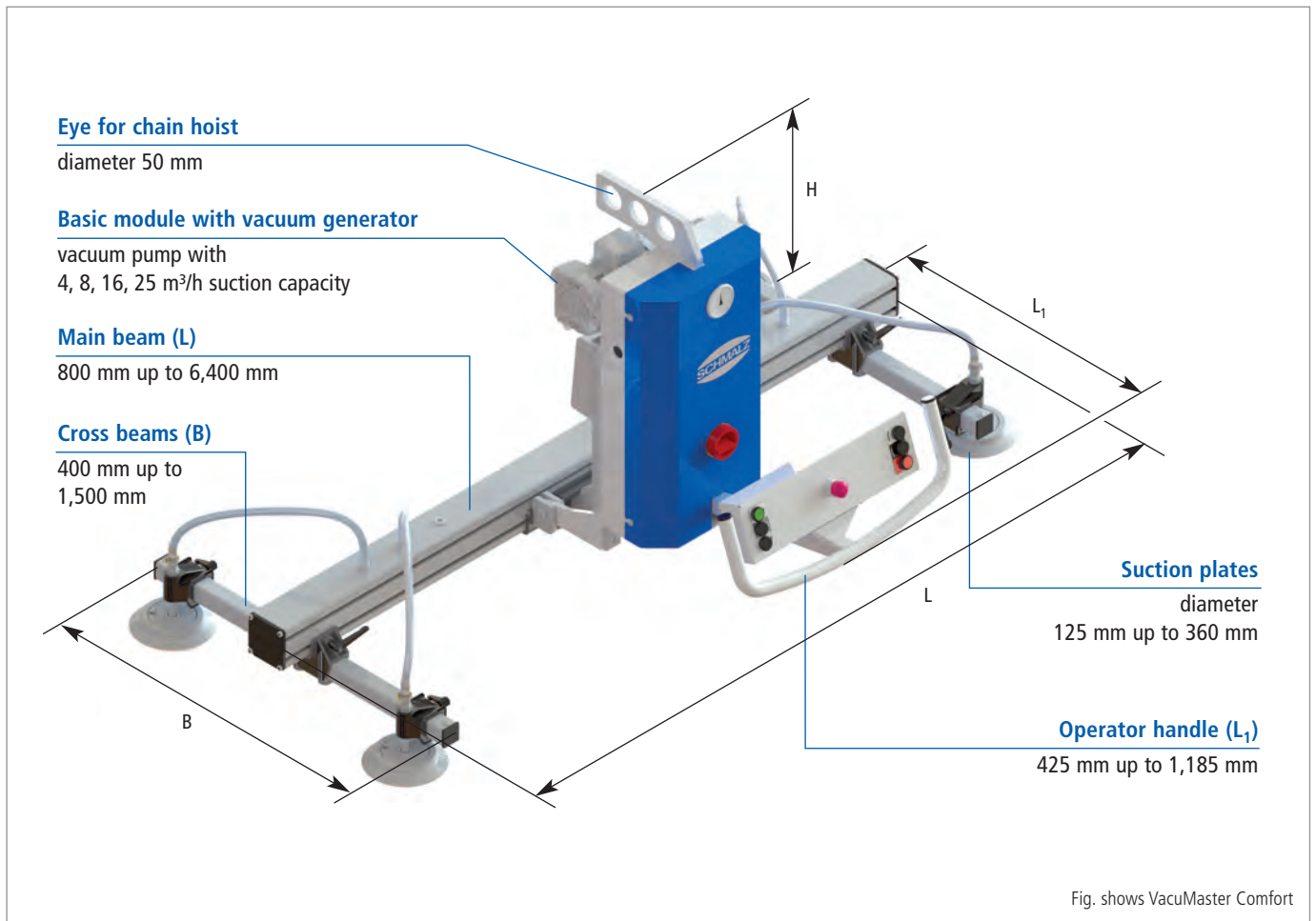


Fig. shows VacuMaster Comfort

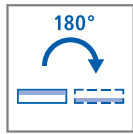
VacuMaster type* Max. lift capacity [kg]	Workpiece format [mm]	Dimensions L x B (length x width) [mm]	Overall height H [mm]		Operator handle L ₁ [mm]	Suction plates**		Weight [kg]	
			Basic	Comfort		No.	Ø [mm]	Basic	Comfort
Basic/Comfort 125	2,000 x 1,000	1,600 x 520	720	720	725	2	360	74	76
	2,500 x 1,250	1,600 x 750	800	800	725	4	210	79	81
	4,000 x 2,000	3,200 x 1,500	800	800	1,025	8	210	94	101
Basic/Comfort 250	2,500 x 1,250	1,600 x 750	800	800	725	4	360	91	93
	4,000 x 2,000	3,200 x 1,500	800	800	1,025	8	210	102	104
Basic/Comfort 500	2,500 x 1,250	1,600 x 750	1,030	1,030	785	4	360	135	137
	4,000 x 2,000	3,200 x 1,500	1,030	1,030	1,085	8	360	151	153

*The shown VacuMaster are example configurations: The VacuMaster Basic/Comfort can be adapted flexibly to individual workpiece formats.

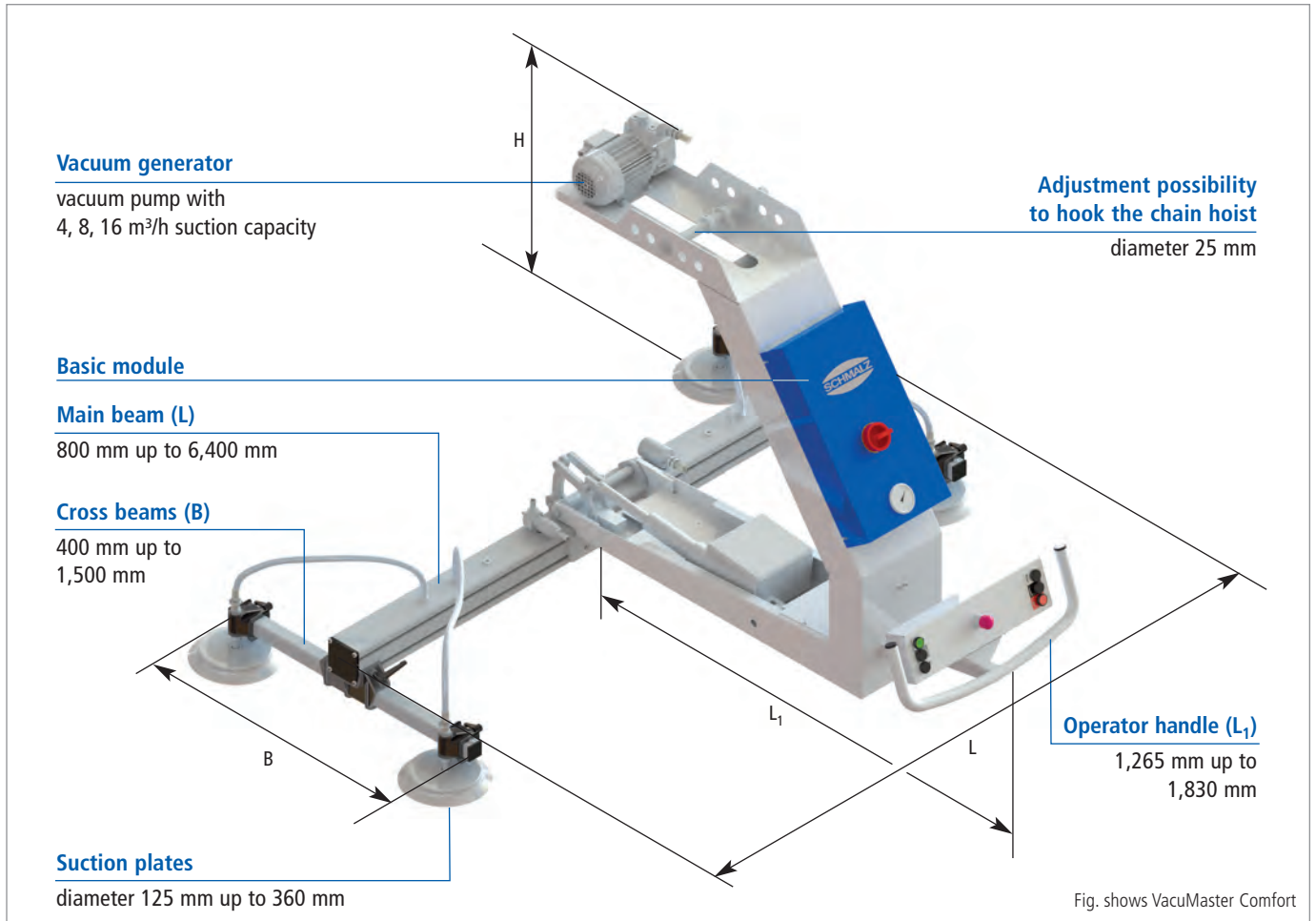
**The indicated number of suction plates is possible for handling of rigid goods. For unstable and thin workpieces the numbers of suction plates will be increased.

VacuMaster Basic and VacuMaster Comfort

Technical Data



180° Turning

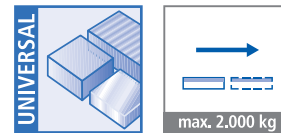


VacuMaster type* Max. lift capacity [kg]	Workpiece format [mm]	Dimensions L x B (length x width) [mm]	Overall height H [mm]		Operator handle L ₁ [mm]	Suction plates**		Weight [kg]	
			Basic	Comfort		No.	Ø [mm]	Basic	Comfort
Basic/Comfort 75	1,000 x 1,000	800 x 410	1,150	1,150	1,265	2	250	74	74
	2,000 x 1,000	1,600 x 410	1,150	1,150	1,265	2	250	82	82
	2,500 x 1,250	1,600 x 750	1,220	1,220	1,265	4	210	92	92
Basic/Comfort 125	2,000 x 1,000	1,600 x 520	1,160	1,160	1,265	2	360	87	87
	2,500 x 1,250	1,600 x 750	1,230	1,230	1,265	4	210	92	92
Basic/Comfort 250	2,000 x 1,000	1,600 x 750	1,770	1,770	1,830	4	360	137	139
	2,500 x 1,250	1,600 x 750	1,750	1,750	1,830	8	210	145	147
	4,000 x 1,500	3,200 x 1,500	1,750	1,750	1,830	8	210	165	167

*The shown VacuMaster are example configurations: The VacuMaster Basic/Comfort can be adapted flexibly to individual workpiece formats.

Technical data for VacuMaster Basic/Comfort 500 on request.

**The indicated number of suction plates is possible for handling of rigid goods. For unstable and thin workpieces the numbers of suction plates will be increased.



VacuMaster Vario in process of loading and unloading a laser cutting machine

VacuMaster Vario

Application

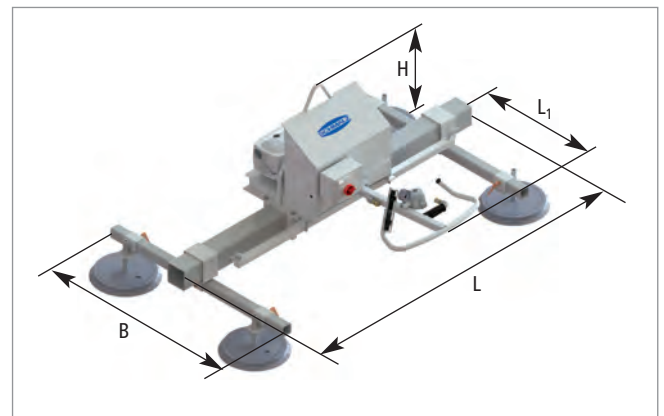
- Horizontal handling of especially heavy, airtight workpieces weighing up to 2,000 kg
- Loading and unloading machines with large-format metal sheets and plates
- Solutions for heavier loads are also possible, e.g. lifting devices for handling rotor blades weighing several tons and up to 60 m in length

Design and Function

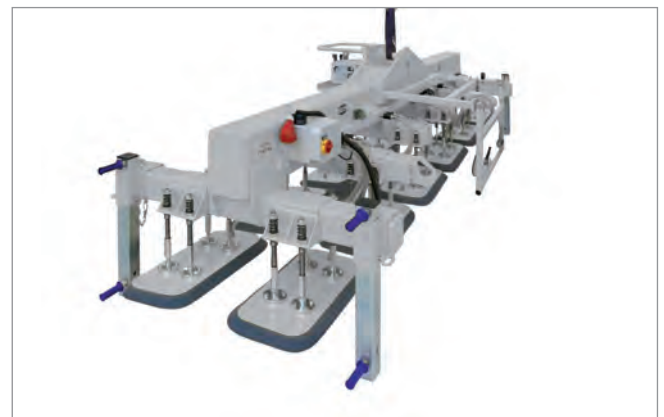
- Modular vacuum lifting device with ergonomic operator handle
- Highly reliable manual slide valve to turn on/off the vacuum
- Electric vacuum pump for short evacuation times
- Robust steel load beam
- Audible warning device and vacuum reservoir for redundant safety in loss of vacuum and power failure respectively
- Large selection of suction plates

Your Benefits

- Heavy loads are handled very securely
- Simple adaption to the individual application



Design of VacuMaster Vario



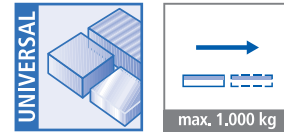
Special VacuMaster Vario with lift capacity of 10 t (special applications with lift capacity over 2 t on request)

VacuMaster type	Max. lift capacity* [kg]	Workpiece format [mm]		Dimensions [mm]		Overall height H [mm]	Operator handle L ₁ [mm]	Number of suction plates	Weight [kg]
		Minimum	Maximum	L (length)	B (width)				
Vario 1000	1,000	900 x 520	6,000 x 2,000	2,000 – 4,000	1,150	630 – 935	910 – 1,250	1, 4, 8	116 – 252
Vario 2000	2,000	1,230 x 900	6,000 x 2,000	2,000 – 4,000	1,150	820 – 1,000	910 – 1,250	2, 4, 8	231 – 345

* Higher lift capacities available on request.



VacuMaster Eco for removing steel sheets from a drawer shelving system



VacuMaster Eco

Application

Horizontal handling of smooth and airtight workpieces without an external energy source

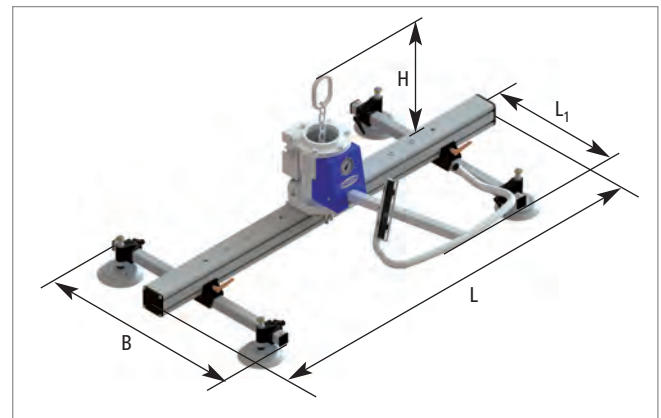
- For example metal sheets/plates, barrels and stone slabs

Design and Function

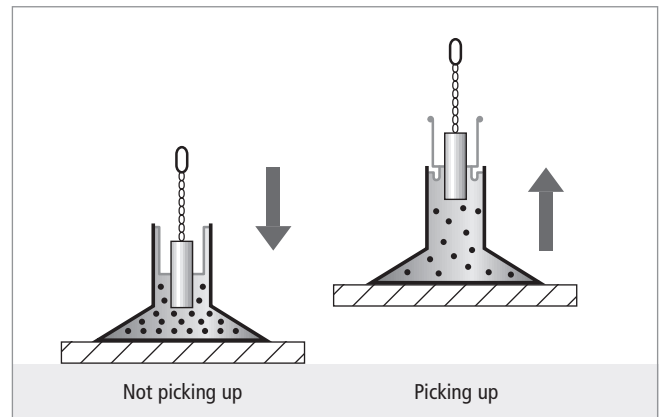
- Modular vacuum lifting device with piston system for vacuum generation without energy
- Vacuum is established/dissipated by the lifting/lowering motion of the chain hoist (chain hoist not included)
- Aluminum load beam with integrated vacuum distributor (up to 750 kg lift capacity)
- Battery-operated warning device with battery test function for warning of fallen vacuum
- Easily adjustable suction pads

Your Benefits

- Secure and gentle vacuum handling
- Energy independence allows for flexibility in use
- Quick installation and start of operations
- Minimal operating costs



Design of VacuMaster Eco



Functional principle of VacuMaster Eco

VacuMaster type	Max. lift capacity* [kg]	Workpiece format [mm]		Dimensions [mm]		Overall height H [mm]	Operator handle L ₁ [mm]	Number of suction plates	Weight [kg]
		Minimum	Maximum	L (length)	B (width)				
Eco 75	75	220 x 220	1,000 x 1,000	210	210	368 – 382	–	1	8
Eco 250	250	360 x 360	3,000 x 2,000	800 – 2,400	400 – 1,500	450 – 825	400 – 1,100	1, 2, 4, 6, 8	33 – 59
Eco 500	500	480 x 480	4,000 x 2,000	800 – 3,200	400 – 1,500	605 – 1,130	500 – 1,200	1, 2, 4, 6, 8	93 – 141
Eco 750	750	900 x 620	4,000 x 2,000	800 – 3,200	400 – 1,500	735 – 1,130	500 – 1,200	4, 6, 8	132 – 141
Eco 1000	1,000	630 x 630	4,000 x 2,000	800 – 4,000	1,150	730 – 1,210	500 – 1,200	1, 4, 8	138 – 309

* The recommended minimum workpiece weight is 10% of the lift capacity.



VacuMaster Window for rotating and palletizing windows

VacuMaster Window

Application

Vertical handling of windows, glass sheets and glass components

- For windows with sash parts or frames protruding up to 45 mm
- Workpieces can be rotated by 90° (3,000 mm maximum workpiece diameter for rotating)

Design and Function

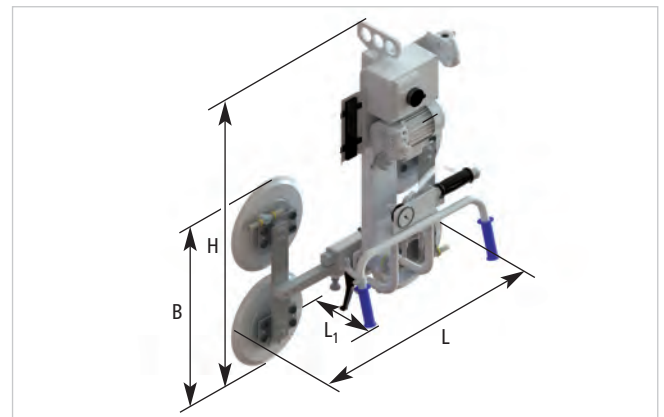
- Operator handle with manual slide valve to turn on/off the vacuum
- Electric vacuum pump for short evacuation times
- Manual rotation unit, up to 90° left or right
- Audible warning device and vacuum reservoir for redundant safety in loss of vacuum and power failure respectively
- UV and ozone-resistant suction plates

VacuMaster Window Comfort

- Same basic features as VacuMaster Window
- Operator handle with integrated control of all functions (see page 26)
- Air-saving function to reduce energy consumption
- Electric rotation unit for one-directional motorized rotation through 90° (optional)

Your Benefits

- Secure handling of glass while leaving no marks
- Increase in productivity due to faster turnover
- Effortless rotation of workpieces
- Small basic body for a good view



Design of VacuMaster Window



VacuMaster Window Comfort

VacuMaster type	Max. lift capacity [kg]	Workpiece format [mm]		Dimensions		Overall height H [mm]	Operator handle L ₁ [mm]	Suction plates		Weight [kg]	Rotation mechanism
		Minimum	Maximum	L (length)	B (width)			No.	Ø [mm]		
Window 200	200	320 x 630	2,000 x 2,000	630–930	300	920	390	2	300	39	Manual, left/right
Window 300	300	630 x 630	2,000 x 2,000	630–930	630	1,090	400	4	300	55	Manual, left/right
Window Comfort 200	200	320 x 630	2,000 x 2,000	630–930	300	920	550	2	300	55	Manual, left/right
Window Comfort 200 EL	200	320 x 630	2,000 x 2,000	630–930	630	920	570	2	300	71	Electric, right
Window Comfort 300	300	630 x 630	2,000 x 2,000	630–930	300	1,090	630	4	300	59	Manual, left/right
Window Comfort 300 EL	300	630 x 630	2,000 x 2,000	630–930	630	1,090	650	4	300	76	Electric, right



VacuMaster Multi for swiveling wooden boards by 90°



VacuMaster Multi

Application

Handling large, heavy wooden boards, either airtight or porous

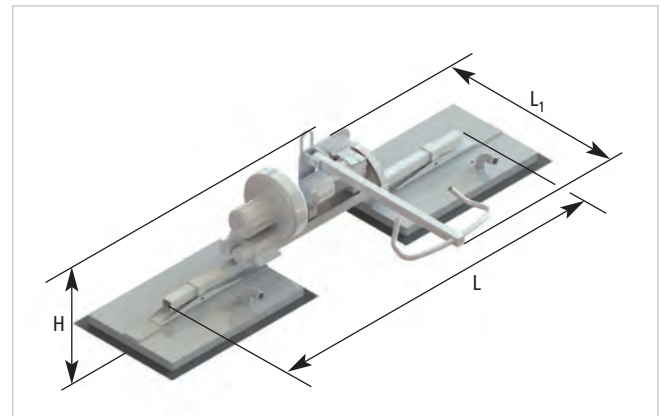
- Rough and coated MDF, OSB and particle boards
- Also for gypsum fiber and gypsum plaster board as well as plastic sheets
- 90° swiveling of workpieces (optional)

Design and Function

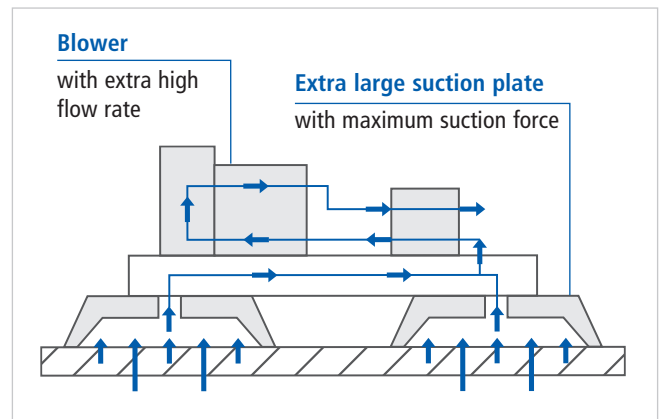
- Vacuum lifting device with movable operator handle to adjust the working height
- High-power vacuum blower with centrifugal mass to delay vacuum dissipation in event of a power failure
- Audible warning device
- Reversing valve to quickly release the load
- Electric drive for continuous and precise swiveling through 90° (optional)
- Large suction plates which can be shifted the main beam

Your Benefits

- Work ergonomically at any working height
- Porous workpieces are handled very securely
- Robust design for use in harsh working environments
- Precise, continuous swiveling (optional)
- Large volume for highly porous workpieces



Design of VacuMaster Multi



Functional principle of VacuMaster Multi for picking up large and porous plates

VacuMaster type	Max. lift capacity [kg]		Workpiece format [mm]		Main beam length L [mm]	Overall height H [mm]	Operator handle L ₁ [mm]	Suction plates		Weight [kg]
	Horizontal	Vertical	Minimum	Maximum				No.	Size [mm]	
Multi 400	400	–	1,100 x 700	4,100 x 2,100	–	520	1,050	1	1,000 x 675	80
	400	–	1,400 x 1,100	5,600 x 2,100	2,000	600	1,050	2	1,000 x 675	133
Multi 400/150 90°	400	150	1,100 x 700	4,100 x 2,100	–	540	1,050	1	1,000 x 675	101
Multi 400/300 90°	400	300	1,400 x 1,100	5,600 x 2,100	2,000	620	1,050	2	1,000 x 675	159
	400	300	2,200 x 1,000	5,600 x 2,100	2,500	630	1,050	8	Ø 400	189



VacuMaster HHVM for removing wooden boards from upright storage

VacuMaster HHVM

Application

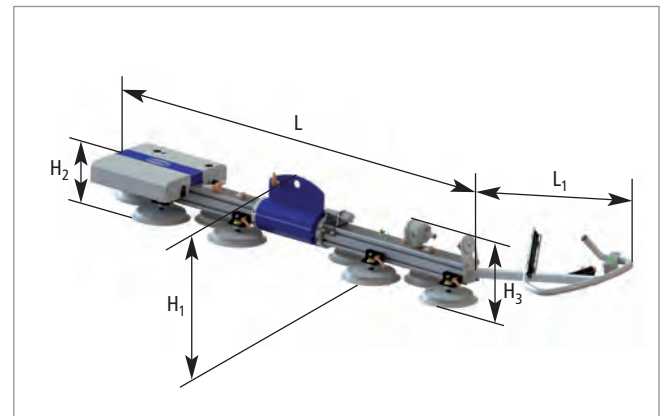
- Vertical handling of wooden boards and swiveling of workpieces 90° from horizontal to the right or left
- Also suitable for porous MDF, OSB or particle boards and for very narrow pieces such as kitchen counter-tops or cutting scraps
 - Removing wooden boards from upright storage
 - Loading and unloading vertical saws

Design and Function

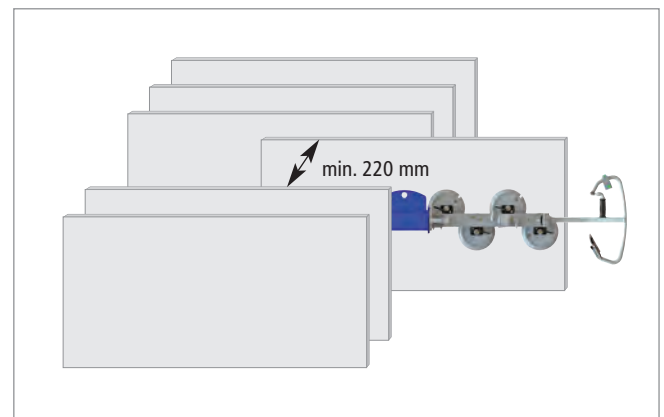
- Vacuum lifting device with flat design and front-side operator handle
- Highly reliable manual slide valve to turn on/off the vacuum
- Highly responsive pivot bearing with pneumatic latch bolt
- Pneumatic vacuum ejector with high suction flow rate
- Air-saving control to reduce energy consumption
- Audible warning device and vacuum reservoir for redundant safety in loss of vacuum and power failure respectively
- Offset suction plates available with either single or double deactivation

Your Benefits

- Lifting and swiveling of wooden boards allows for increased productivity
- Low overall height allows it to be used in tight spaces
- Low energy consumption with high suction flow rate



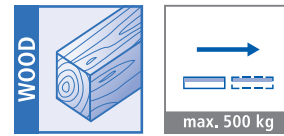
Design of VacuMaster HHVM



Overall height of VacuMaster HHVM when swiveled 90°

VacuMaster type	Max. lift capacity [kg]	Workpiece format* [mm]		Main beam L [mm]	Overall height [mm]			Operator handle L ₁ [mm]	Suction plates		Weight [kg]
		Minimum	Maximum		H ₁	H ₂	H ₃		No.	Ø [mm]	
HHVM 100	100	1,350 x 420	4,100 x 3,050	1,900	325	220	270	700	4	250	49
HHVM 150	150	1,600 x 420	4,100 x 3,050	1,900	325	220	270	700	6	250	54
HHVM 200	200	1,950 x 420	4,100 x 3,050	1,900	325	220	270	700	8	250	59

*For swiveling large panels the suction plates need to be attached off center.



VacuMaster VHB in process of loading a rip saw with wooden boards

VacuMaster VHB

Application

Horizontal handling of narrow workpieces such as planks, boards and beams with a minimum width of 120 mm

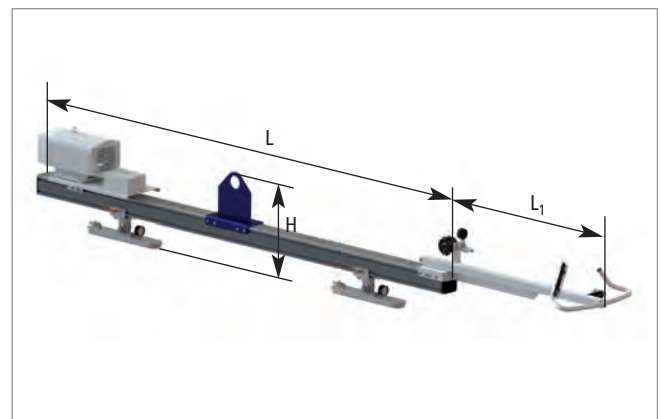
- Loading rip saws

Design and Function

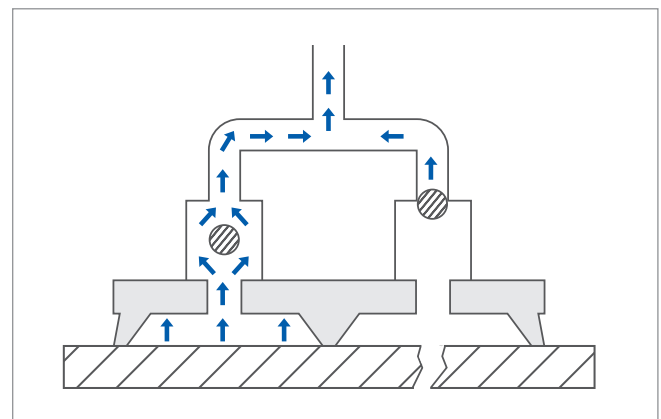
- Vacuum lifting device with flat design and front-side operator handle
- Highly reliable manual slide valve to turn on/off the vacuum
- Electric vacuum pump with high suction capacity
- Audible warning device and vacuum reservoir for redundant safety in loss of vacuum and power failure respectively
- Two rectangular suction plates, can be shifted along the length of the beam
- VacuMaster VHB 350/500 with two separate suction areas per suction plate, including a self-locking ball valve that prevent vacuum loss by closing the vacuum feed to a particular area if there are cracks or damages on the workpiece

Your Benefits

- Secure handling of long boards and planks
- Excellent seal on moist, unplanned and cracked wood
- Suction plates can be quickly adapted to various workpiece lengths
- Low-noise operation with sound level below 65 dB(A)

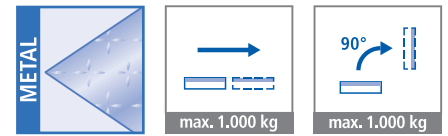


Design of VacuMaster VHB



Suction plate with two separate suction areas and self-locking ball valves of the VacuMaster VHB 350/500

VacuMaster type	Max. lift capacity [kg]		Workpiece format [mm]		Main beam length L [mm]	Overall height H [mm]	Operator handle L ₁ [mm]	Suction plate		Weight [kg]
	Full coverage	Partial coverage	Minimum	Maximum				No.	Size [mm]	
VHB 250	250	–	120 x 1,200	1,000 x 6,000	3,210	550	1,220	2	550 x 100	100
VHB 500	500	–	220 x 1,200	1,000 x 6,000	3,210	550	1,220	2	550 x 200	145
VHB 350/500	500	350	220 x 1,200	1,000 x 6,000	3,210	550	1,220	2	550 x 200	145



VacuMaster Coil for swiveling stainless steel coils by 90°

VacuMaster Coil

Application

Handling coils and slit strip, e.g. for positioning onto a decoiler mandrel

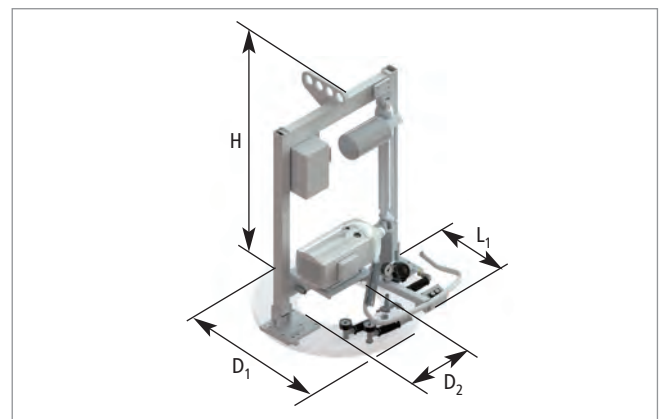
- For thin and ultra-thin sheet metal, steel and stainless steel, metal foils, tinplate and aluminum
- Maximum strip thickness of 3.0 mm (aluminum) or 1.5 mm (steel)
- Continuous swiveling up to 90°

Design and Function

- Vacuum lifting device with vacuum clamps (suction rings) that can be switched on/off separately
- Highly reliable manual slide valve for activating vacuum
- Electric vacuum pump for short evacuation times
- Precise electric drive for continuous swiveling of the load
- Audible warning device and vacuum reservoir for redundant safety in loss of vacuum and power failure respectively
- Transparent suction plate for easily positioning

Your Benefits

- Different sized coils can be handled with one device
- Exact positioning and safe gripping of coils
- Damage-free gripping without mechanical clamping
- Loads can be swiveled effortlessly and set down flush with the floor



Design of VacuMaster Coil

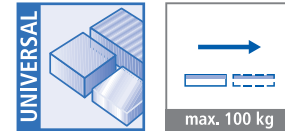


Suction plate with three separate vacuum clamps

VacuMaster type	Max. lift capacity [kg]	Workpiece format Ø [mm]		Max. coil height		Overall height H [mm]	Operator handle L ₁ [mm]	Suction plate Ø [mm]		Number of suction clamps	Weight [kg]
		Minimum	Maximum	At 50 Hz	At 60 Hz			Inner D ₁	Outer D ₂		
Coil 500 90°	500	600	1,200	400	330	1,300	660	410	850	3	140
Coil 750 90°	750	600	1,400	220	160	1,300	660	410	1,050	3	155
Coil 1000 90°	1,000	750	1,800	320	240	1,300	660	410	1,200	3	190



VacuMaster Light for handling metal housings



VacuMaster Light

Application

Horizontal handling of mainly airtight small to medium-sized workpieces weighing up to 100 kg

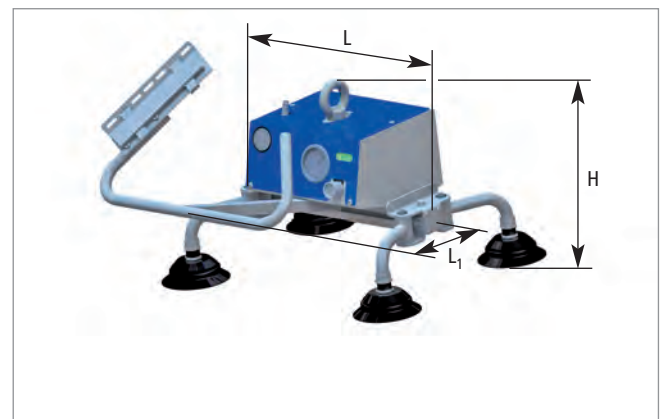
- For example, metal plates, plastic sheets, barrels, cabinets, furniture parts or sections
- Its versatility allows it to be used in processes such as component assembly, packaging and machine loading

Design and Function

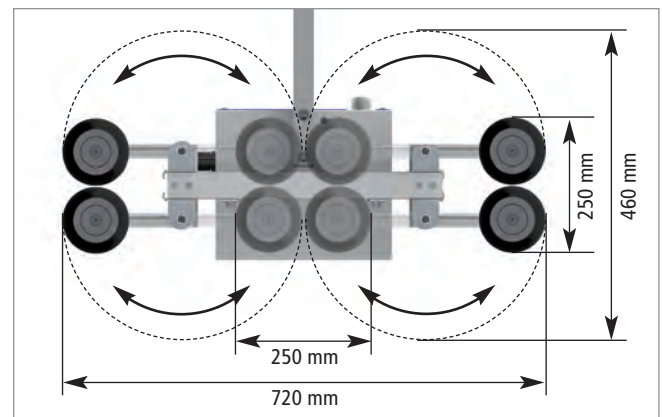
- Compact and light vacuum lifting device
- Pneumatic vacuum ejector with high suction capacity
- Central control button for vacuum control
- Choose between one large suction plate or four hinged pad mounting arms that are flexible and continuously adjustable

Your Benefits

- Ergonomic operation and low weight allow you to work for long periods without fatigue
- Suction pads can be adjusted quickly and easily to handle different workpieces
- Quick and easy installation and startup



Design of VacuMaster Light



Suction pad spacing with adjustable suction feet (VacuMaster Light 100-4)

VacuMaster type	Max. lift capacity [kg]	Workpiece format [mm]		Length L	Overall height H [mm]	Operator handle L ₁ [mm]	Suction plates		Weight [kg]
		Minimum	Maximum				No.	Ø [mm]	
Light 100-1	100	250 x 250	1,500 x 800	260	270	405	1	250	15
Light 100-4	100	250 x 250	2,000 x 800	400	330	405	4	120	15



Crane Systems

Aluminum Crane Systems and Jib Cranes that are Designed Specifically for Your Handling System

We have drawn on all of our experience and expertise as system manufacturers to create our Schmalz crane systems. Thanks to their consistently lightweight design, they are the perfect addition to your vacuum tube lifter Jumbo or vacuum lifting device VacuMaster. Whether as a jib crane or a crane system, the Schmalz modular system enables perfect integration into your working environment. Even as a stand-alone solution, the modern crane system provides numerous advantages for your benefit.

Aluminum Crane Systems

Lift Capacity up to 950 kg



Aluminum crane system SRA with a chain hoist and vacuum lifting device VacuMaster



Aluminum crane system SRA with vacuum tube lifter Jumbo

Application

Flexible modular system for the assembly of individual crane solutions

- Used in nearly all in-house handling and logistics processes

Your Benefits

- Optimally adjustable to the nominal lift capacity of the tube lifter or lifting device
- Outstanding low-friction operation and low moving mass
- High-quality wear-resistant components
- Modern design with anodized surfaces
- Speeds up working processes and enables high-precision positioning
- Supports ergonomic operation while reducing strain on workers



Aluminum crane sections SRA

Design and Function

- Crane runway and crane girder made of aluminum sections SRA
- Extremely resistant to bending and torsion forces
- Can be configured as a single-girder, double-girder or monorail crane system
- Several crane girders (bridges) can be used in one crane system
- Crane runways can be extended as needed using rail connectors; also for existing cranes
- Optimized energy supply
- Easy to install on a ceiling or portal construction using rigid or height-adjustable suspension elements
- Flexible adjustable working area with variable end stops

Suspension of the crane runway

rigid or movable, height-adjustable

Crane runway made of aluminum crane section SRA

weighs as little as 3 kg/m

End plate

Crane girder made of aluminum crane section SRA

Transport trolley

in ball-joint or fork versions

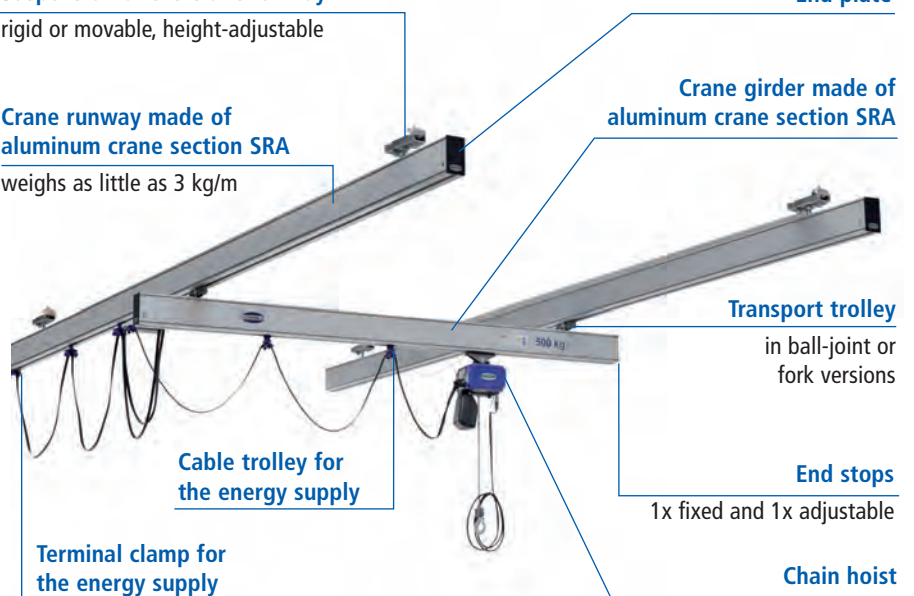
End stops

1x fixed and 1x adjustable

Cable trolley for the energy supply

Terminal clamp for the energy supply

Chain hoist



Aluminum Jib Cranes

Lift Capacity up to 650 kg



Column-mounted jib crane SK with chain hoist and vacuum lifting device VacuMaster



Wall-mounted jib crane WK with vacuum tube lifter Jumbo

Application

Workplace crane solution for ergonomic and efficient handling of loads

- Available as a column-mounted or wall-mounted jib crane

Your Benefits

- Optimally adjustable to the nominal lift capacity of the tube lifter or lifting device
- Outstanding low-friction operation and low moving mass
- High-quality wear-resistant components
- Modern design with anodized surfaces
- Speeds up working processes and enables high-precision positioning
- Supports ergonomic operation while reducing strain on workers

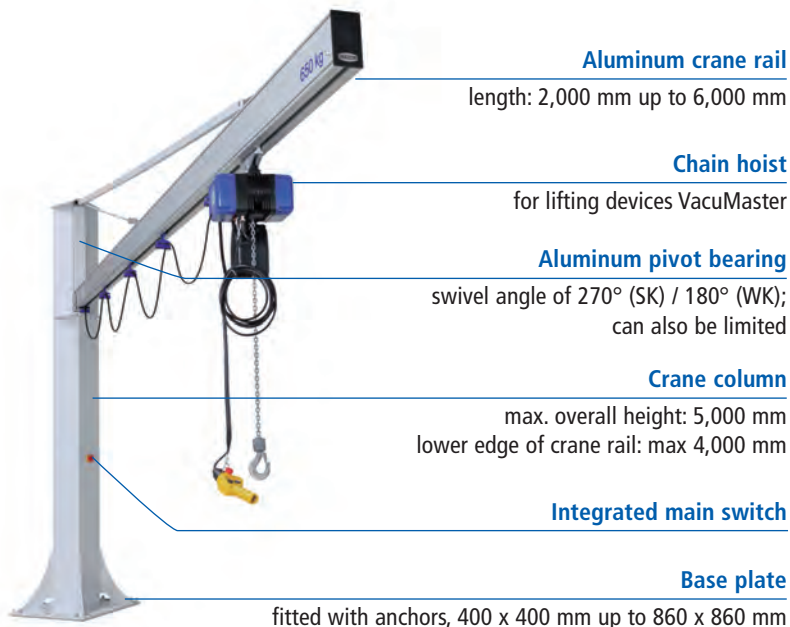
Design and Function

Column-mounted jib crane SK

- Aluminum crane rail and pivot bearing
- Steel crane column, optional with integrated motor-protection switch
- Already fitted with anchors for floor mounting without additional intermediate plates
- Optionally available with a mobile base plate for easy transport using a forklift or pallet truck

Wall-mounted jib crane WK

- With the same jib boom as the column-mounted jib cranes
- Mounted using a wall bracket or clasp bracket (for example on a building column in a production room)



Type	Max. lift capacity											
	45 kg	65 kg	80 kg	85 kg	110 kg	125 kg	140 kg	200 kg	300 kg	350 kg	650 kg	1000 kg
Jib crane for Jumbo*	[Progressive bar chart showing lift capacity ranges for each type]											
Universal jib crane (for use with chain hoist/VacuMaster)	[Progressive bar chart showing lift capacity ranges for each type]											

*The load classes correspond to the nominal lift capacities of the tube lifter Jumbo. The tube lifter's weight has already been taken into account.

----- Steel crane rails are used for loads over 650 kg.

Crane Solutions for Confined Spaces



Flat jib
for particularly low ceilings



Articulated-arm jib
to move around obstacles



Telescopic jib
for confined working areas

Accessories



Conductor line SCL

Wireless Power Supply for Crane Systems

The conductor line SCL provides electricity to all the devices carried along with the crane, such as a chain hoist or vacuum lifting device

- There are no cable storage devices or cable loops to cause interference
- Available in five different lengths ranging from 500 to 4,000 mm (can be expanded as needed)
- UL certified

Chain Hoists

Lift Capacity up to 2,000 kg



Chain hoist SCH

Powerful and Durable – the Schmalz Chain Hoist SCH

Durable chain hoist with standard limit switches

- High-quality pressure-cast aluminum housing with molded cooling fins
- Plug & play connector means the chain hoist arrives ready to use
- Gearboxes are equipped with helical gearing, making them very responsive and quiet
- The control voltage of 42 V and the emergency-stop function ensure extremely safe operation
- Robust operator element can be put on the operator handle of the VacuMaster
- CSA certified (USA/Canada)
- Standard lifting height of 3,000 mm, optional variable chain length
- Available with optional frequency control for sensitive positioning



From Task to Solution

Decide. Select. Design.

With a vacuum handling system from Schmalz, you're choosing more than just a product. We help you find a solution that allows you to work more quickly, more ergonomically, and more efficiently. Our expertise in designing and constructing systems is a result of our years of experience and the comprehensive knowledge of our employees.

Decide

By Deciding on Schmalz, You're Choosing ...

Maximum Safety and Reliability

Safety for the operator and process reliability are our main priorities when developing handling systems. All Schmalz products meet or surpass the currently applicable European and international safety standards:

- Consistent observation of safety factors and compliance with safety regulations
- Safe operation with warning and protective systems
- Deliberated operating concept to prevent errors during operation
- High-quality products that are "Made in Germany"
- Comprehensive service package



Safety has a high priority at Schmalz

Working Ergonomically

Musculoskeletal disorders are the most often-cited reason for absence and sick leave from work. One cause of these disorders is lifting and carrying loads during the workday. Even when handling lighter loads, employees often move several tons per shift. For this reason, experts recommend using lifting aids for lifting and carrying even lighter loads. Vacuum handling systems from Schmalz are the perfect tools for lifting and carrying both light and heavy loads. The ergonomic working posture when using these tools is gentle on the spine and the muscles of the back, minimizing the risk of absences due to employee injuries.

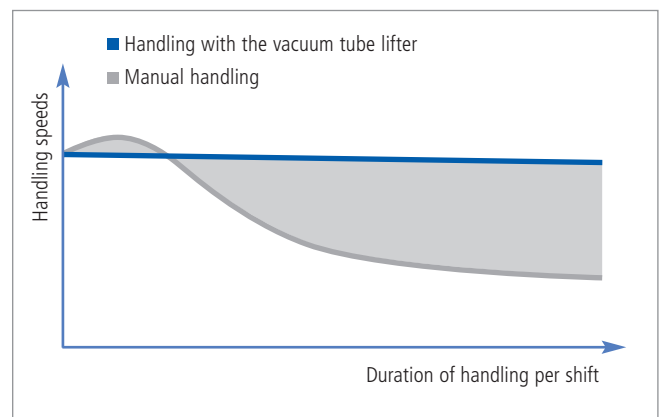
Increased Productivity

Vacuum handling systems from Schmalz make your working processes not only more ergonomic, but also more productive:

- Handling speeds at a consistently high level
- Reduced work-related strain increases employee motivation
- Unproductive downtimes, such as during machine loading, are reduced
- Gentle handling minimizes waste

Age range	Physically Reasonable Loads			
	Occasional lifting and carrying (no more than 1x per hour)		More frequent lifting and carrying (more than 2x per hour)	
	Women	Men	Women	Men
15 – 18 years old	15 kg	35 kg	10 kg	20 kg
19 – 45 years old	15 kg	55 kg	10 kg	30 kg
> 45 years old	15 kg	45 kg	10 kg	25 kg

Recommendation by the German Federal Ministry of Labour and Social Affairs for implementing the European Directive 90/269/EWG




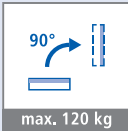

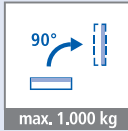
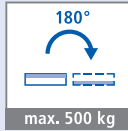
Comparison of handling speeds between handling with the vacuum tube lifter and manual handling

Select

Jumbo or VacuMaster?

You can select which handling system is the ideal solution for your application based on the following characteristics.

Your Application

	Max. lift capacity	
	300 kg	2,000 kg
Workpiece	Mainly porous and permeable e.g. cardboard boxes, bags and wooden boards	Mainly smooth and airtight e.g. metal plates and glass sheets
Workpiece format	Max. 4,000 mm x 2,000 mm	Max. 8,000 mm x 2,000 mm
Type of handling	Horizontal  90° swiveling 	Horizontal  90° swiveling  180° turning 
Lifting cycles per hour	up to ~ 500 picks/h	up to ~ 100 picks/h



Product Recommendation

	Vacuum tube lifter Jumbo	Vacuum lifting device VacuMaster
		
Application	Move goods weighing up to 300 kg quickly and frequently	Move heavy loads weighing up to 2,000 kg ergonomically and securely
Functions	Vacuum-generated holding force and lifting force	Vacuum-generated holding force, lifting force generated by chain hoist
Product information	Page 12	Page 24

Your Schmalz system consultant would be happy to help you select the right system to fit your requirements. Contact us and benefit from our expertise and years of experience in the field of vacuum handling technology:
www.schmalz.com/salesnetwork

Design and Function

Vacuum Tube Lifter Jumbo

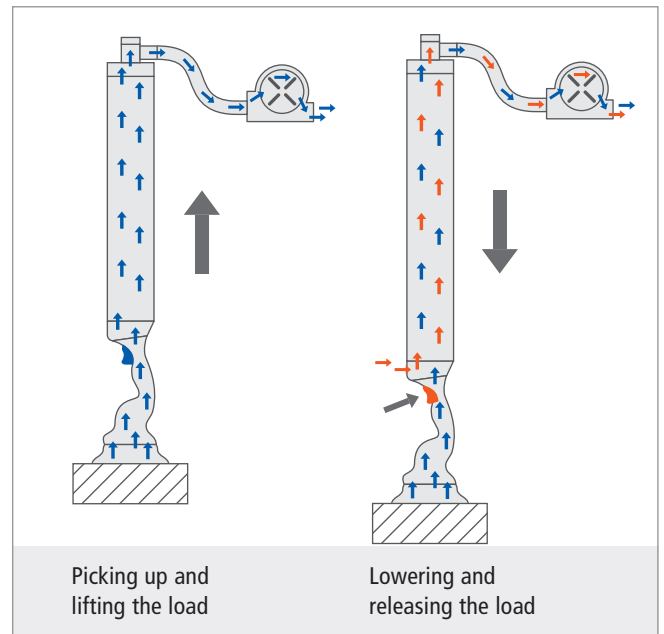
The vacuum tube lifter Jumbo consists of a vacuum generator, a lifting unit, an operating unit and suction pad. The Jumbo only uses vacuum to raise and lower loads.

Picking up and Lifting the Load

- The vacuum generator (pump, blower or ejector) generates a vacuum in the system by continually evacuating air.
- The difference between the negative pressure and the ambient pressure draws the workpiece to the suction pad. This is generally called "picking up" the workpiece.
- Once the workpiece has been picked up, the flow rate causes the lift tube to contract. The workpiece is then lifted.

Lowering and Releasing the Load

- Operating the control element feeds atmospheric air into the system ("venting"). The vacuum is reduced.
- This causes the lift tube to expand and the load is lowered. The lifting height can be precisely controlled by controlling the amount of atmospheric air that is fed into the system. To release the load, the vacuum is completely eliminated through maximum venting (pressing the control button down fully).



Vacuum Lifting Device VacuMaster

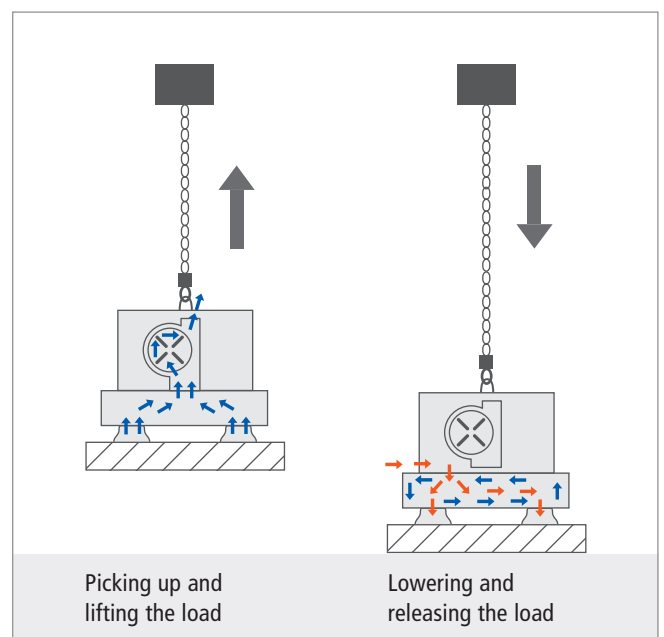
The vacuum lifting device VacuMaster consists of a vacuum generator, load beam with vacuum reservoir and vacuum distributor, an operator handle and suction plates. The vacuum holds the workpiece and a chain hoist is used to lift the workpiece.

Picking up and Lifting the Load

- The vacuum generator (pump or ejector) generates a vacuum first in the vacuum reservoir and then in the vacuum distributor by evacuating the air.
- The difference between the negative pressure and the ambient pressure draws the workpiece to the suction plates when the device is placed onto the workpiece. This is generally called "picking up" the workpiece.

Lowering and Releasing the Load

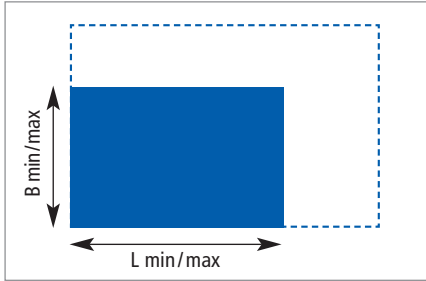
- The lifting device with the load that has been picked up is moved up and down by controlling the chain hoist.
- To release the load, the vacuum in the distributor is eliminated through atmospheric venting (activating the valve). The vacuum reservoir remains filled for the next lifting process.



Design

Important Information for Designing Your System

When designing the perfect handling solution, there are a large number of deciding factors at play. Using the following questions, you can prepare yourself for the design discussion with your Schmalz system consultant.



1. Workpiece

What are the dimensions of your workpiece [mm]?

Minimum _____

Maximum _____

How thick is the workpiece [mm]?

Minimum _____

Maximum _____

How much does the workpiece weigh [kg]?

Minimum _____

Maximum _____

What is the workpiece material and what are the properties of this material (surface, porosity, etc.)?

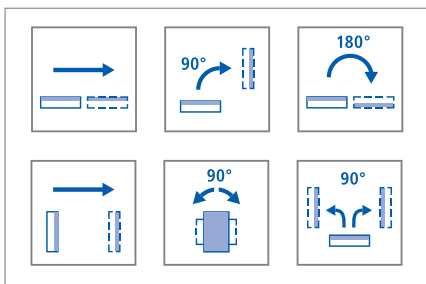
Material _____

- Airtight Smooth
 Porous Rough/textured

Are there sample workpieces available at the location?

- Yes
 No

With no airtight workpieces we recommend the implementation of lifting tests.



2. Handling Task

What is the workpiece's starting position?

- Horizontal
 Vertical

How will the workpiece be handled?

- Placed horizontally Swiveled by 90°
 Placed vertically Rotated by 90°
 Turned by 180°

What are the minimum and maximum stack heights [mm]?

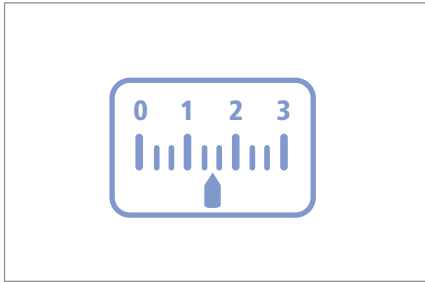
Consider e.g. building columns in production areas, roof girders or cable bridges

Minimum _____

Maximum _____

How frequently must workpieces be lifted?

Picks per hour _____



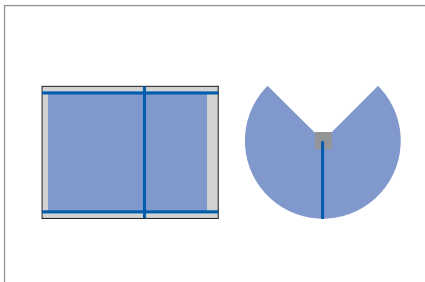
3. Power Supply

What kind of power supply is available?

Line voltage (V/Hz) _____

Compressed air (bar) _____

Standard line voltage for devices with a vacuum blower or vacuum pump: 400 V 50 Hz (other voltage or frequency ranges available on request). Optimal input pressure (flow pressure) for devices with a vacuum ejector: 5.5 to 6 bar.



4. Working Area

How large is the working area that needs to be covered [mm]?

L (length) x B (width) _____ or radius _____

How high are the ceilings [mm]?

What obstacles need to be taken into account?

e.g. building columns in production areas, roof girders, pipes, light fixtures or cable bridges

Which crane system or which kind of mounting might be used?

Crane system

Jib crane

Ceiling mounting

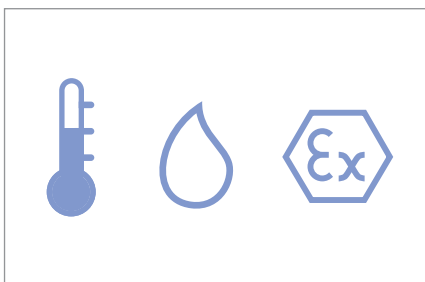
Floor mounting (column)

Portal mounting

Wall mounting

Required concrete quality for anchoring a crane: at least B25 or C25/235

Required concrete thickness: at least 200 mm



5. Additional Requirements

What are the additional environmental requirements?

Special environmental requirements necessitate special product solutions, for example:

Extreme temperatures (heat, deep freeze sector)

Particularly high humidity

Clean room conditions

Heavy contamination

Avoidance of marks

Explosion protection zone

Additional:

Service

Individually Tailored Service

At Schmalz, we strive to be your single go to source for all your vacuum lifting needs from start to finish. That's why, alongside optimized product solutions, we also offer you a comprehensive range of services. Our system consultants offer quality advice regarding all your vacuum system needs, from planning and design to installation and start of operation, and much more.



On-Site Consultation

We support you every step of the way when designing a solution for your handling tasks. Our system consultants in the field are happy to advise you on-site. We would also be happy to provide you with a demonstration of our products at your location.



Test Center

Every workpiece is different. In order to err on the side of caution when designing systems, we also perform lifting tests with your sample workpieces upon request.



Assembly and Start of Operations

Our experienced service technicians can perform the entire installation upon request, including setup of the electrical connection by a qualified electrical specialist.



Safety Inspection

Before the initial start of operations, we recommend performing a safety inspection in accordance with standard accident prevention regulations. We would be happy to advise you on this topic.



Operation

We would be glad to provide training for you and your employees on location so that you can operate your handling system optimally. During ongoing operation, we promise to quickly and reliably provide you with replacement and wearing parts.



Warranty

When you choose Schmalz products, you're putting your trust in quality that's "Made in Germany". We offer a warranty for our handling systems. If necessary, our service personnel can be on-location quickly anywhere in the world to provide efficient, straightforward assistance.

Contact

Worldwide On-Site with Own Subsidiaries and Trade Partners in More Than 50 Countries

Our sales network of local field representatives, international subsidiaries and trade partners ensures quick and competent information and advice.

Canada

Schmalz Vacuum Technology Ltd.
17-3190 Ridgeway Drive
ON L5L 5S8 Mississauga
Ontario

Tel. +1 905 569 9520
Fax +1 905 569 8256
schmalz@schmalz.ca

India

Schmalz India Pvt. Ltd.
EL - 38 J Block MIDC
Bhosari
411026 Pune

Tel. +91 (0)20 4072 5500
Fax +91 (0)20 4072 5588
schmalz@schmalz.co.in

United States

Schmalz Inc.
5200 Atlantic Avenue
Raleigh, NC 27616

Tel. +1 919 713 0880
Fax +1 919 713 0883
schmalz@schmalz.us

Worldwide

Headquarters in Germany

J. Schmalz GmbH
Aacher Straße 29
72293 Glatten

Tel +49 (0)7443 2403 0
Fax +49 (0)7443 2403 259
schmalz@schmalz.de

You can find contact information for our trade partners in 50 countries at www.schmalz.com/salesnetwork

Workshop Equipment

Damage-Free Storage, Transport and Clamping of Workpieces



Schmalz workshop equipment serves as an important aid in industry and professional trades. Transport trolleys facilitate space-saving storage of workpieces between individual production steps. Specifically, these trolleys are used to transport painted furniture pieces, sheets, profiles, metal/plastic components and solar panels, among other things.

Vacuum workbenches and vacuum work stands round off the product range. The vacuum is switched on and off using a foot-operated switch; workpieces are clamped using suction plates and fastened in place for processing. The workbenches and work stands can be adjusted to any height to enable ergonomic working.



Vacuum Components
Tel. +49 (0)7443 2403 102



Vacuum Gripping Systems
Tel. +49 (0)7443 2403 107



Vacuum Handling Systems
Tel. +49 (0)7443 2403 108



Vacuum Clamping Systems
Tel. +49 (0)7443 2403 109

Schmalz Worldwide

Canada

Schmalz Vacuum
Technology Ltd.
Mississauga
schmalz@schmalz.ca

China

Schmalz (Shanghai) Co. Ltd.
Shanghai
schmalz@schmalz.net.cn

Finland

Oy Schmalz Ab
Vantaa
schmalz@schmalz.fi

France

Schmalz S.A.S.
Champs sur Marne
schmalz@schmalz.fr

Germany

J. Schmalz GmbH
Glatten
schmalz@schmalz.de

India

Schmalz India Pvt. Ltd.
Pune
schmalz@schmalz.co.in

Italy

Schmalz S.r.l. a Socio Unico
Novara
schmalz@schmalz.it

Japan

Schmalz K.K.
Yokohama
schmalz@schmalz.co.jp

The Netherlands

Schmalz B.V.
Hengelo
schmalz@schmalz.nl

Poland

Schmalz Sp. z o.o.
Warsaw
schmalz@schmalz.pl

Russia

Schmalz Representation
Moscow
schmalz@schmalz.ru

South Korea

Schmalz Co. Ltd.
Seoul
schmalz@schmalz.co.kr

Spain

Schmalz S.A.
Erandio (Biscay)
schmalz@schmalz.es

Switzerland

Schmalz GmbH
Nürensdorf
schmalz@schmalz.ch

Turkey

Schmalz Vakum
San. ve Tic. Ltd. Şti.
Istanbul
schmalz@schmalz.com.tr

United States

Schmalz Inc.
Raleigh
schmalz@schmalz.us

Find your local sales partner by visiting
www.schmalz.com/salesnetwork

Scan code to access
the digital brochure



J. Schmalz GmbH
Aacher Strasse 29
D-72293 Glatten
Tel. +49 (0)7443 2403 0
Fax +49 (0)7443 2403 259
schmalz@schmalz.de
www.schmalz.com